

Option Setup Guide

For safety, please read this manual carefully before you use this product and keep it handy for future reference.

Introduction

To get maximum versatility from this machine all operators should carefully read and follow the instructions in this manual. Please keep this manual in a handy place near the machine.

Please read the Safety Information in Maintenance Guide 1 before using this machine. It contains important information related to USER SAFETY and PREVENTING EQUIPMENT PROBLEMS.

Important

Contents of this manual are subject to change without prior notice. In no event will the company be liable for direct, indirect, special, incidental, or consequential damages as a result of handling or operating the machine.

Caution:

Use of controls or adjustment or performance of procedures other than those specified in this manual might result in hazardous radiation exposure.

Do not attempt any maintenance or troubleshooting other than that mentioned in this manual. This printer contains a laser beam generator and direct exposure to laser beams can cause permanent eye damage.

Notes:

Some illustrations in this manual might be slightly different from the machine.

Certain options might not be available in some countries. For details, please contact your local dealer.

Two kinds of size notation are employed in this manual. With this machine refer to the inch version.

For good print quality, the supplier recommends that you use genuine toner from the supplier.

The supplier shall not be responsible for any damage or expense that might result from the use of parts other than genuine parts from the supplier with your office products.

Trademarks

Microsoft, Windows and Windows NT are registered trademarks of Microsoft Corporation in the United States and/or other countries.

IPS-PRINT Printer Language Emulation Copyright© 1999-2000 Oak Technology, Inc., All rights reserved.

Other product names used herein are for identification purposes only and might be trademarks of their respective companies. We disclaim any and all rights in those marks.

The proper names of the Windows operating systems are as follows:

- Microsoft® Windows® 95 operating system
- Microsoft® Windows® 98 operating system
- Microsoft® Windows® Millennium Edition (Windows Me)
- Microsoft® Windows® 2000 Professional
- Microsoft® Windows® 2000 Server
- Microsoft® Windows® XP Professional
- Microsoft® Windows® XP Home Edition
- Microsoft® Windows NT® Server operating system Version 4.0
- Microsoft® Windows NT® Workstation operating system Version 4.0

TABLE OF CONTENTS

How to Read This Manual	1
1. Options	
<hr/>	
Available Options.....	3
PAPER FEED UNIT Type 5000	7
Interchange Unit Type 5000	11
Duplex Unit Type 5000.....	15
SR780 (500-sheet Finisher).....	20
Using the Output Guide.....	23
Mail Bin Type 5000 (4-bin Mailbox)	24
Memory Unit Type C (SDRAM Module).....	28
Printer Hard Disk Type 5000	32
1394 Interface Unit Type 4510.....	36
Connecting the cable to the 1394 Interface Unit.....	40
802.11b Interface Unit Type A.....	41
IEEE 802.11b (Wireless LAN) Configuration	45
User Account Enhance Unit Type B.....	49
INDEX.....	53

How to Read This Manual

Symbols

In this manual, the following symbols are used:

 **WARNING:**

This symbol indicates a potentially hazardous situation which, if instructions are not followed, could result in death or serious injury.

 **CAUTION:**

This symbol indicates a potentially hazardous situation which, if instructions are not followed, may result in minor or moderate injury or damage to property.

* The statements above are notes for your safety.

 **Important**

If this instruction is not followed, paper might be misfed, or data might be lost. Be sure to read this.

 **Preparation**

This symbol indicates the prior knowledge or preparations required before operating.

 **Note**

This symbol indicates precautions for operation, or actions to take after misoperation.

 **Limitation**

This symbol indicates numerical limits, functions that cannot be used together, or conditions in which a particular function cannot be used.

 **Reference**

This symbol indicates a reference.

[]

Keys that appear on the machine's panel display.

Keys and buttons that appear on the computer's display.

[]

Keys built into the machine's control panel.

Keys on the computer's keyboard.

Available Options

CAUTION:

- *Before installing options, the machine should be turned off and unplugged for at least an hour. Components inside the machine become very hot, and can cause a burn if touched.*
- *Before moving the machine, unplug the power cable from the outlet. If the cable is unplugged abruptly, it could become damaged. Damaged plugs or cables can cause an electrical or fire hazard.*
- *When lifting the machine, use the grips on both sides. The machine could break or cause an injury if dropped.*

By installing options, you can improve the printer performance and have an expanded variety of features to use. For the specifications of each option, see the Administrator Reference.

When installing multiple options on the printer, we recommend the following order of installation.

Important

- Rating voltage of the connector for options: Max. DC 24 V.

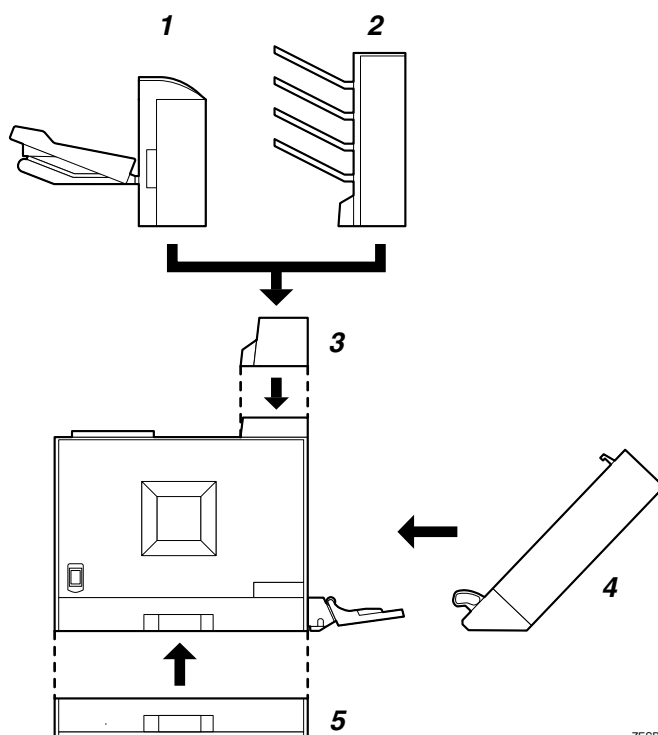
Flow of Option Installation

1 Attach the 500-sheet Paper Feed Unit. (PAPER FEED UNIT Type 5000) ▼	Attach the Paper Feed Unit to the bottom of the printer. You can attach up to two Paper Feed Units.
2 Attach the Interchange Unit. (Interchange Unit Type 5000) ▼	Attach to the top of the printer for using the Duplex Unit, 4-bin Mailbox or 500-sheet Finisher.
3 Attach the Duplex Unit. (Duplex Unit Type 5000) ▼	Attach to the right of the printer after attaching the Interchange Unit.
4 Attach the 500-sheet Finisher. (SR780) ▼	Attach to the top of the printer after attaching the Interchange Unit. If you choose to attach the 500-sheet Finisher, you cannot attach the 4-bin Mailbox.

5 Attach the 4-bin Mailbox. (Mail Bin Type 5000) ▼	Attach to the top of the printer after attaching the Interchange Unit. If you choose to attach the 4-bin Mailbox, you cannot attach the 500-sheet Finisher.
6 Install the SDRAM Module. (Memory Unit Type C) ▼	Install the module to the SDRAM module slot on the controller board. 64MB, 128MB, and 256MB Memory Units are available.
7 Install the Printer Hard Disk. (Printer Hard Disk Type 5000) ▼	Install the Printer Hard Disk to the controller board.
8 Install the 1394 Interface Unit. (1394 Interface Unit Type 4510) ▼	Install the 1394 Interface Unit to the 1394 I/F slot on the controller board. If you choose to install the 1394 Interface Unit, you cannot install the 802.11b Interface Unit or USB2.0 Interface Unit.
9 Install the 802.11b Interface Unit (802.11b Interface Unit Type A) ▼	Install the 802.11b Interface Unit to the slot on the controller board. If you choose to install the 802.11b Interface Unit, you cannot install the 1394 Interface Unit or USB2.0 Interface Unit.
10 Install the User Account Enhance Unit. (User Account Enhance Unit Type B)	Install the module to the User Account Enhance Unit slot on the controller board.

Install options in the positions as shown in the illustration.

◆ Exterior



ZESP001.J

1. SR780 (500-sheet Finisher)

Performs Job Separation and staples.
Outputs up to 500 sheets.
⇒ p.20 "SR780 (500-sheet Finisher)"

2. Mail Bin Type 5000 (4-bin Mailbox)

Sorts printed documents from multiple users. Outputs up to 500 (125 × 4) sheets.
⇒ p.24 "Mail Bin Type 5000 (4-bin Mailbox)"

3. Interchange Unit Type 5000

Sends paper to the Duplex Unit, 500-sheet Finisher or 4-bin Mailbox.
⇒ p.11 "Interchange Unit Type 5000"

4. Duplex Unit Type 5000

Makes duplex prints.
⇒ p.15 "Duplex Unit Type 5000"

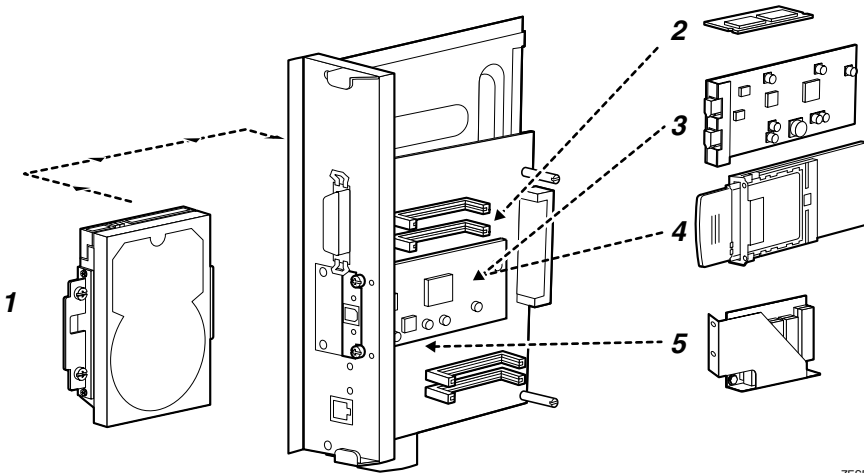
5. PAPER FEED UNIT Type 5000

Loads up to 500 sheets of paper. Up to two units can be installed to the printer, and "Tray 2" appears on the panel display for the first unit and "Tray 3" appears on the panel display for the second unit.
⇒ p.7 "PAPER FEED UNIT Type 5000"

⚠ Important

- Attach the Interchange Unit before attaching the Duplex Unit, 500-sheet Finisher or 4-bin Mailbox.
- You can attach either one of the 500-sheet Finisher or 4-bin Mailbox to the printer.

◆ Interior



1. Printer Hard Disk Type 5000

Install Printer Hard Disk to the controller board.

⇒ p.32 "Printer Hard Disk Type 5000"

2. Memory Unit Type C (SDRAM Module)

Install 64MB, 128MB, or 256MB RAM into the slot on the controller board.

⇒ p.28 "Memory Unit Type C (SDRAM Module)"

3. 1394 Interface Unit Type 4510

⇒ p.36 "1394 Interface Unit Type 4510"

4. 802.11b Interface Unit Type A

⇒ p.41 "802.11b Interface Unit Type A"

5. User Account Enhance Unit Type B

⇒ p.49 "User Account Enhance Unit Type B"

⚠ Important

- Remove USB2.0 Interface Board when you install 1394 Interface Unit or 802.11b Interface Unit.
- 1394 Interface Unit, 802.11b Interface Unit and USB2.0 Interface Board cannot be installed in the printer at the same time.

PAPER FEED UNIT Type 5000

Preparation

When installing multiple options, install the Paper Feed Unit first.

Two people are needed to install the Paper Feed Unit. Start the installation with two people.

Up to two Paper Feed Units can be installed to the printer. When installing two units, connect the two units by following the procedure for connecting the unit and the printer. Then, place the printer on the connected two Paper Feed Units.

CAUTION:

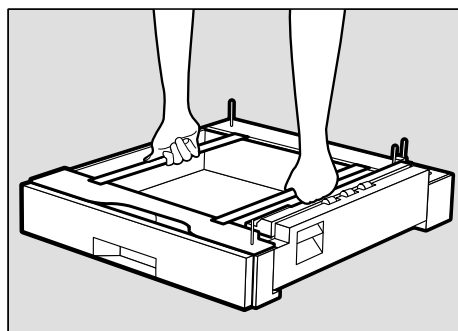
- When moving the machine, each person should hold the handles that are located on opposite sides, and then lift it slowly. Lifting it carelessly or dropping it may cause an injury.
- When moving the Paper Feed Unit, hold the handles that are located on the top of the unit, and then lift it slowly. Lifting it carelessly or dropping it may cause an injury.

Note

- The printer weighs approximately 60 kg (130 lb.).
- The PAPER FEED UNIT weighs approximately 15 kg (33 lb.).
- "Tray 2" appears on the panel display when only one unit is installed. "Tray 3" appears on the panel display for the second unit when two units are installed.

1 Turn off the power switch, and then unplug the power cable.

2 Hold the Paper Feed Unit as shown in the illustration, and then place it on a flat surface near the place where the machines are to be installed.



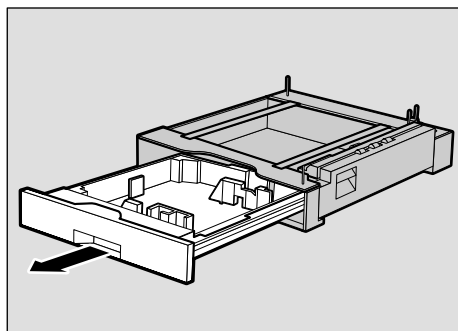
ZESP900J

Note

- Be sure to work in a place with enough space, so that you can get in the back of the printer.

3 Remove the adhesive tapes.

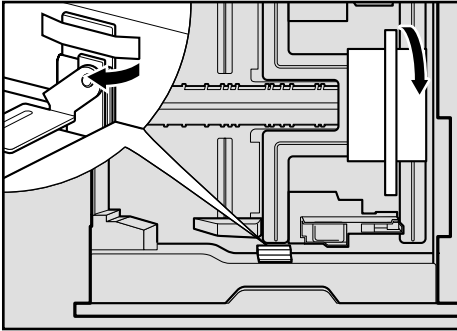
4 Open the tray of the Paper Feed Unit, and then remove the supplied parts and the packing materials.



ZESP140J

The packing materials are put in two places as shown in the illustration.

1

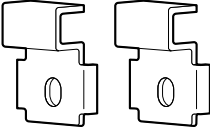


ZESP002J

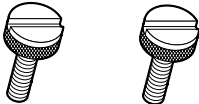
5 Close the tray firmly.

6 Check the contents.

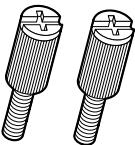
❖ Two metal fittings



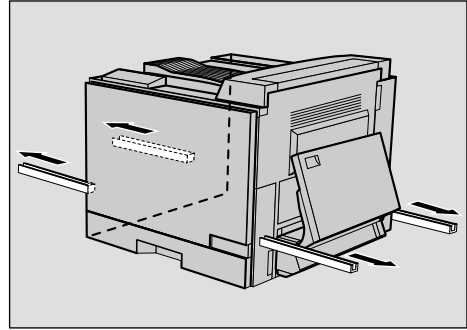
❖ Two screws (for the front)



❖ Two screws (for the rear)



7 Pull out the holding handles from the sides of the printer.



ZESP006J

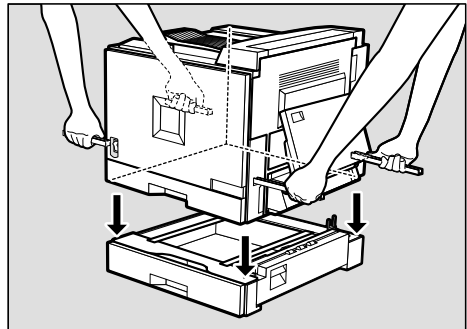
Note

- ❑ Be sure to pull out the handles all the way.

8 Lift the printer, adjust the front sides of the printer and the Paper Feed Unit, and then lower the printer slowly into place of the Paper Feed Unit.

Important

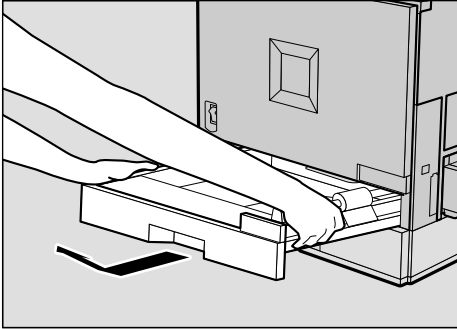
- ❑ When installing two Paper Feed Units, connect the two units by following the procedure for connecting the unit and the printer. Then, place the printer on the connected two Paper Feed Units.
- ❑ When lifting the printer, hold the handles of the printer with two people.



ZESP144J

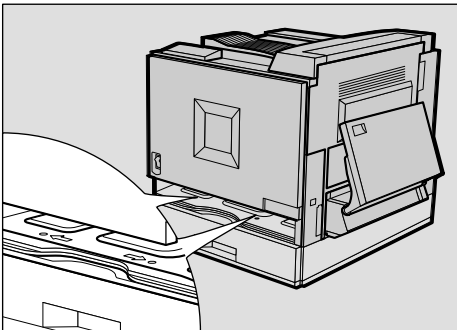
9 Push in the holding handles that you pulled out in step 7.

10 Pull out Tray 1 (standard input tray) slowly while lifting it up a little.



ZESP008J

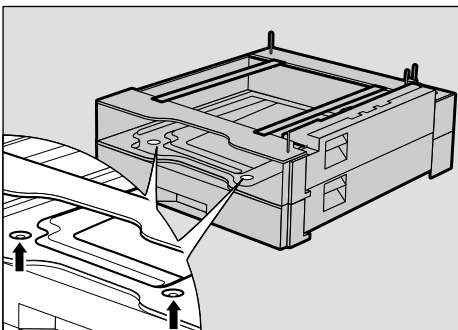
11 Fasten the two screws (for the front) as shown in the illustration.



ZESP009J

Use a coin to fasten them tightly.

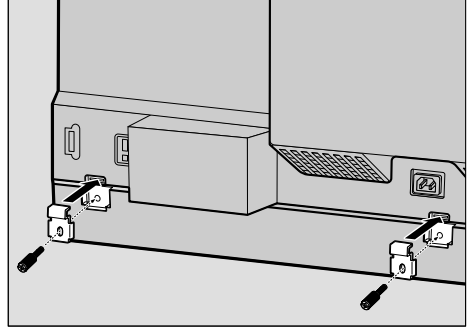
To connect two Paper Feed Units, fasten the two screws (for the front) as shown in the illustration.



ZESP910J

12 Close Tray 1 firmly.

13 Place the two metal fittings on the back of the printer, and then fasten the screws (for the rear) over them as shown in the illustration.



ZESP010J

Use a coin to fasten them tightly.

14 Stick the label above the handle on the front of the Paper Feed Unit.



ZESP126J

Note

- After finishing installation, you can check whether the Paper Feed Unit is installed properly. Print the configuration page from the "List/Test Print" menu. If it is installed properly, you will see "Tray 2" or "Tray 3" under the "Options" list.

- ❑ If the Paper Feed Unit is not installed properly, reinstall from step ❶. If you cannot install it properly even after reinstallation, contact your sales or service representative.

 **Reference**

See "Using the Control Panel" in the Administrator Reference for printing the configuration page.

See "Loading Paper" in Maintenance Guide 2 for loading paper in the Paper Feed Unit.

Interchange Unit Type 5000

Preparation

Install the Interchange Unit before installing the Duplex Unit, 500-sheet Finisher or 4-bin Mailbox.

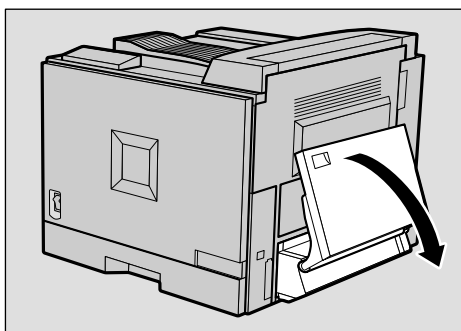
CAUTION:

- The inside of the machine becomes very hot. Do not touch the parts with a label indicating "△" (means hot surface). Touching "△" (means hot surface) could result in a burn.

1 Turn off the power switch, and then unplug the power cable.

2 Remove the adhesive tapes.

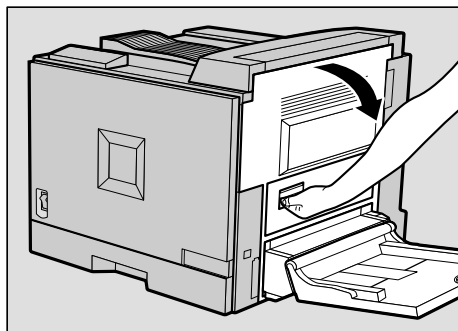
3 Open the Bypass Tray.



Note

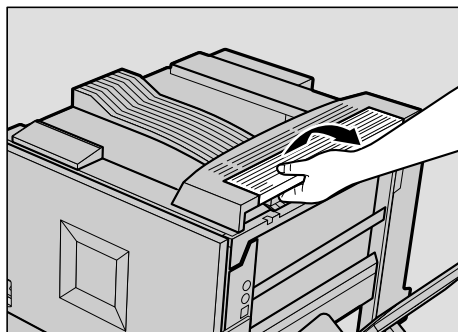
- Remove paper on the Bypass Tray to prevent them from falling.

4 Open the right cover of the printer by pushing up the handle.

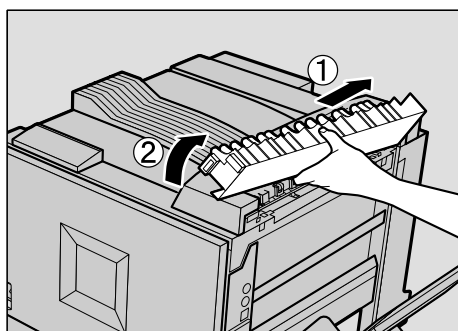


5 Stand on the right of the printer, and then remove the upper right cover of the printer.

1 Open the upper right cover.



2 Press the cover to the right (1), and then lift the left edge (2) to remove it from the printer.



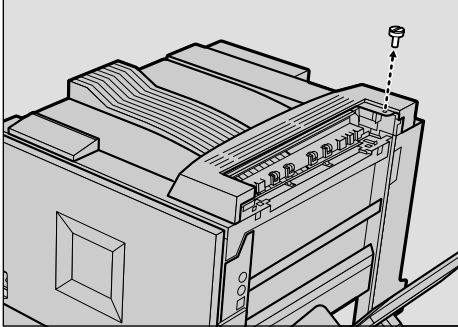
1

Note

- ❑ The removed cover will not be used.

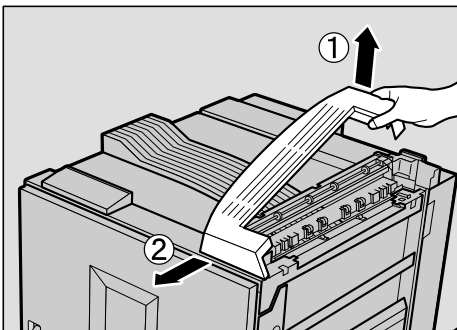
6 Stand on the right of the printer, and then remove the remaining of the upper right cover.

1 Remove the screw that is fastening the upper right cover.

**Note**

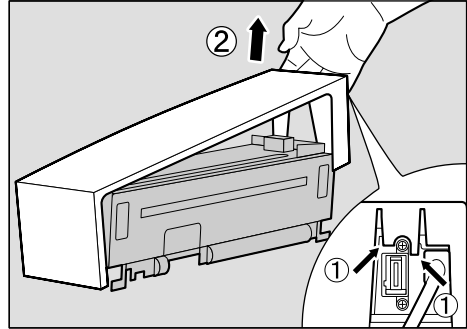
- ❑ The removed screw will not be used.

2 Lift the right edge (1), and then push to the left (2) to remove it.

**Note**

- ❑ The removed cover will not be used.

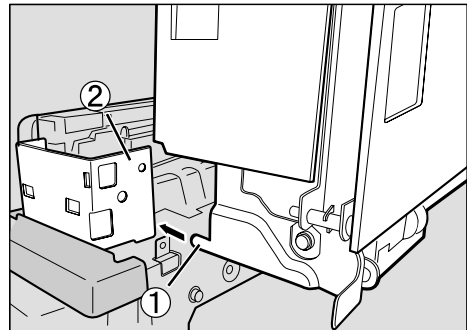
7 Remove the top cover of the Interchange Unit. First, pull up the stopper (1), and then lift the cover (2).

**Note**

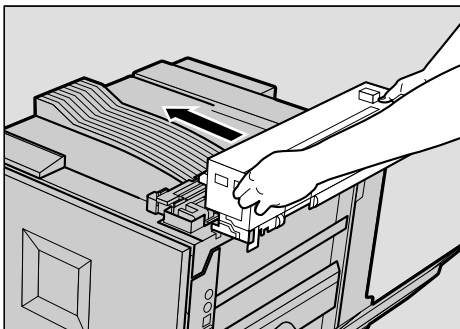
- ❑ You need the removed cover in step 10.

8 Stand on the right of the printer, and then install the Interchange Unit.

1 Hold the unit with both hands, and then slide with the metal part (1) of the Interchange Unit touching the metal part (2) of the printer.

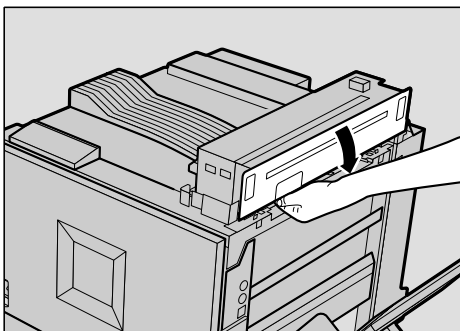


Insert the unit by sliding it onto the printer as shown in the illustration.



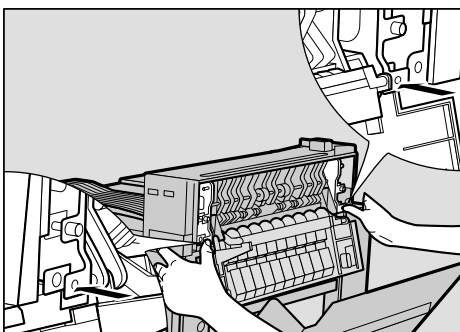
ZESP902J

- 2** Open the right cover of the Interchange Unit.



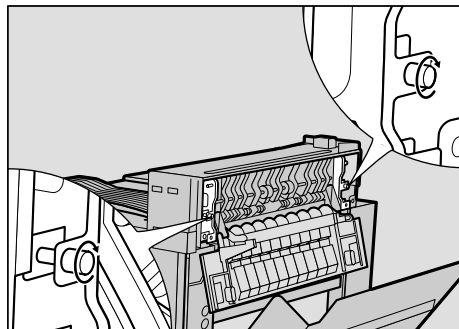
ZESP159J

- 3** Press the two projections on the Interchange Unit so that they securely fit into the holes of the printer.



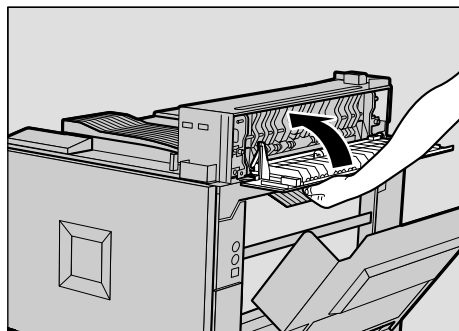
ZESP160J

- 4** Fasten the two screws on the Interchange Unit until they are tight.



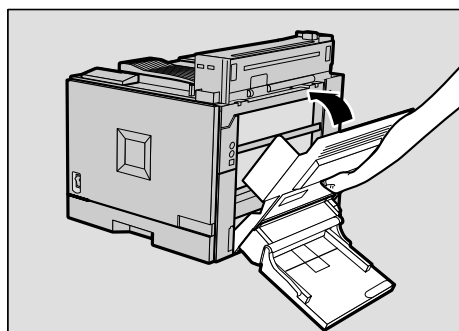
ZESP161J

- 5** Close the right cover of the Interchange Unit.



ZESP162J

- 9** Close the right cover of the printer.

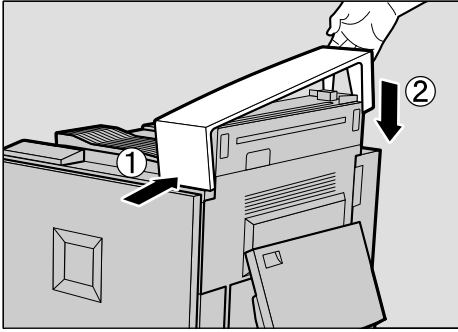


ZESP179J

Note

- Press "PUSH" to close the cover firmly.

- 10** Set the top cover of the Interchange Unit that you removed in step **7**. First, put it on the front side of the printer (①), and then push the other end until it clicks into its place (②).

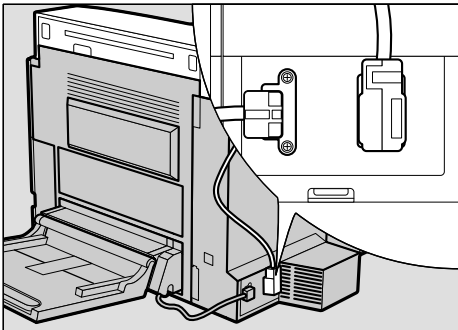


ZESP904J

Note

- You do not have to set the top cover of the Interchange Unit at this point if you install the 500-sheet Finisher or the 4-bin Mailbox. Go to step **11**.

- 11** Connect the Interchange Unit cable to the back of the printer.



ZESP257J

- 12** Close the Bypass Tray.

Note

- If the Interchange Unit is not installed properly, reinstall from step **1**. If you cannot install it properly even after reinstallation, contact your sales or service representative.

Reference

See "Using the Control Panel" in the Administrator Reference for printing the configuration page.

Duplex Unit Type 5000

Preparation

Install the Interchange Unit before installing the Duplex Unit. The Duplex Unit cannot be installed without the Interchange Unit installed in advance. ⇒ p.11 "Interchange Unit Type 5000".

CAUTION:

- The inside of the machine becomes very hot. Do not touch the parts with a label indicating "⚠" (means hot surface). Touching "⚠" (means hot surface) could result in a burn.
- When installing the Duplex Unit, do not release the unit until it is fastened firmly in place. It may cause the unit to fall and result in an injury.

1 Turn off the power switch, and then unplug the power cable from the wall outlet.

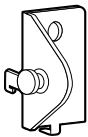
2 Remove the adhesive tapes.

Note

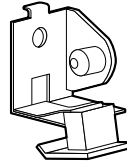
- Do not remove the tape that is tying the cable. It will be removed in step ③.

3 Check the contents.

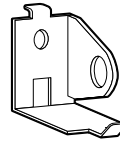
❖ Metal Fitting (A)



❖ Metal Fitting (B)



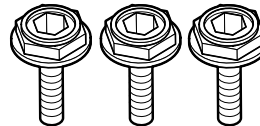
❖ Metal Fitting (C)



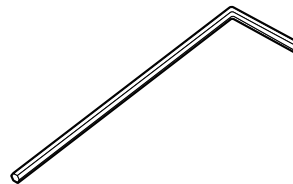
❖ Two Stoppers



❖ Three Screws



❖ Wrench

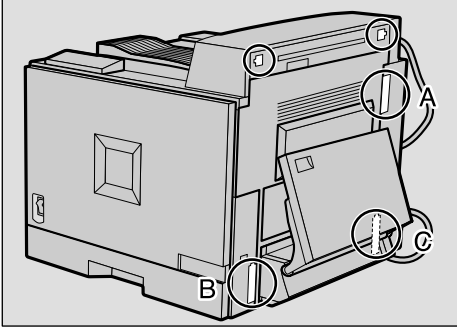


Note

- Confirm the difference in shape for metal fittings (A), (B) and (C).

1

4 Remove the two small covers from the Interchange Unit and the three small covers (A, B, C) from the printer.

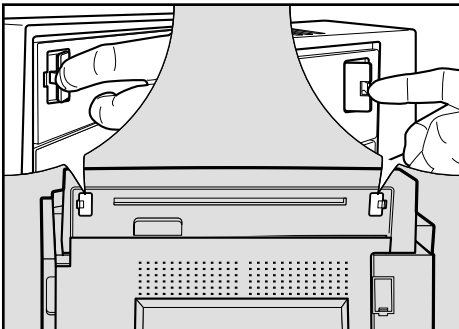


ZESP056J

Note

❑ The metal fittings (A), (B) and (C) are to be used for each place shown in the illustration.

1 Remove the two small covers from the Interchange Unit.

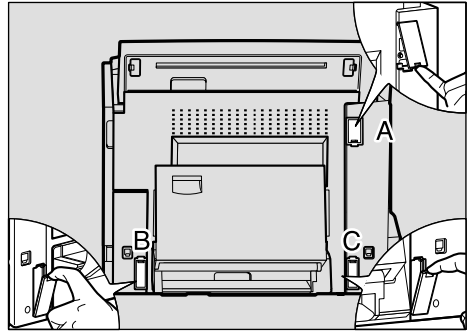


ZESP133J

Note

❑ The removed covers will not be used.

2 Remove the three small covers (A, B, C) from the printer.



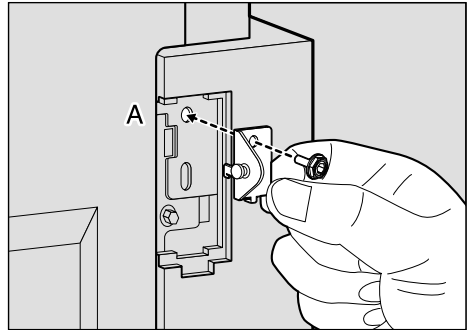
ZESP280J

Note

❑ The removed covers will not be used.

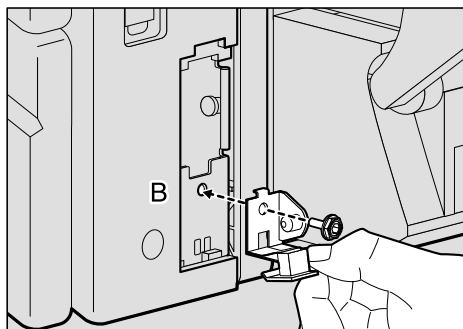
5 Attach the metal fittings using the wrench and the screws supplied.

1 Attach the metal fitting (A) to the (A) shown in the illustration of step 4.



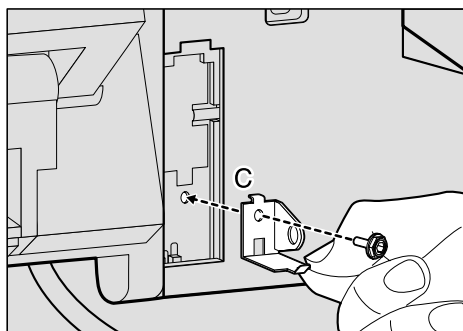
ZESP057J

- 2** Attach the metal fitting (B) to the (B) shown in the illustration of step 4.



ZESP058J

- 3** Attach the metal fitting (C) to the (C) shown in the illustration of step 4.

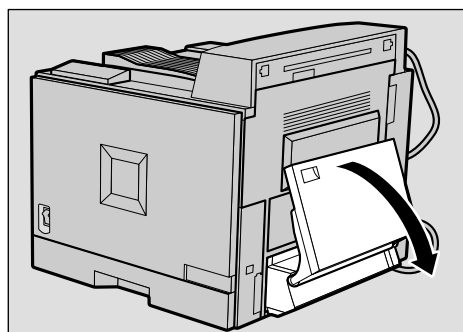


ZESP261J

Note

- Store the wrench in a secure place so that you will not lose it.

- 6** Open the Bypass Tray.

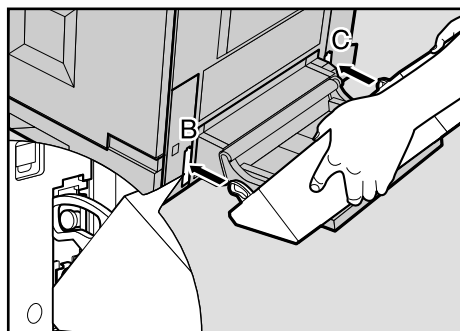


ZESP177J

Note

- Remove paper on the Bypass Tray to prevent them from falling.

- 7** From the right side of the printer, hold the Duplex Unit with both hands, and then insert its projections to the (B) and (C) on the printer over the Bypass Tray as shown in the illustration.



ZESP169J

- 8** Align the projections and dents on the Duplex Unit and the printer, and then slide the Duplex Unit to the right until it clicks into place.

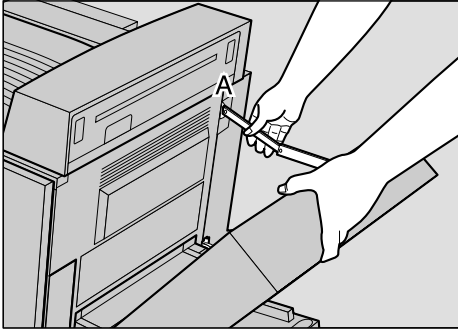


ZESP170J

Important

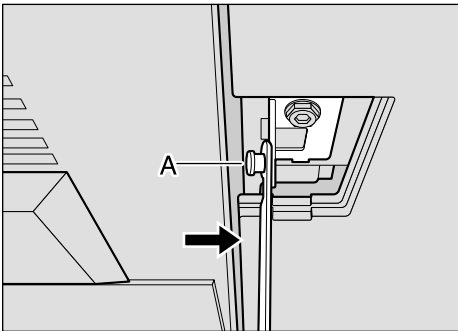
- Be sure that the projections and the dents are connected properly.

9 Extend the supporting bar on the Duplex Unit, and then connect it to the metal fitting (A) that has been attached to the printer.



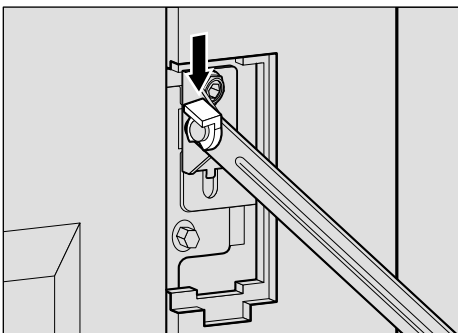
ZESP171J

Connect the bar firmly by pushing it to the right as shown in the illustration.



ZESP262J

10 Attach one of the stoppers over the bar to fix the bar securely.

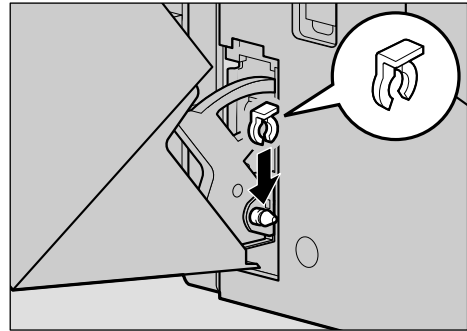


ZESP172J

Important

- ❑ The stopper cannot be attached if the bar is not connected properly. If you cannot attach the stopper, go back to step **9** to connect it properly.

11 Attached the other stopper over the metal fitting (C).

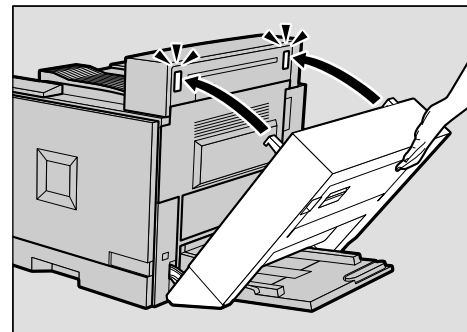


ZESP173J

Important

- ❑ The stopper cannot be attached if the Duplex Unit is not connected properly. If you cannot attach the stopper, go back to step **7** to connect it properly.

12 Slowly close the Duplex Unit.

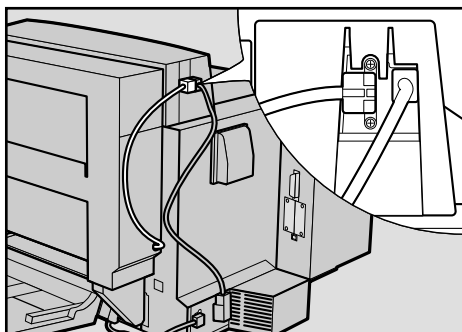


ZESP174J

Note

- ❑ If the Duplex Unit cannot be closed, go back to step **5**.

- 13** Remove the adhesive tape that is fastening the cable, and then connect it to the Interchange Unit.



ZESP175J

- 14** Close the Bypass Tray.

 **Note**

- After finishing installation, you can check whether the Duplex Unit is installed properly. Print the configuration page from the "List/Test Print" menu. If it is installed properly, you will see "Duplex Unit" under the "Options" list.
- If the Duplex Unit is not installed properly, reinstall from step **1**. If you cannot install it properly even after reinstallation, contact your sales or service representative.

 **Reference**

See "Using the Control Panel" in the Administrator Reference for printing the configuration page.

SR780 (500-sheet Finisher)

1

Preparation

Install the Interchange Unit before installing the Finisher. The Finisher cannot be installed without the Interchange Unit installed in advance. ⇒ p.11 "Interchange Unit Type 5000"

CAUTION:

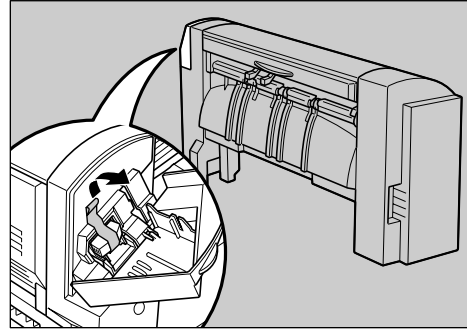
- The inside of the machine becomes very hot. Do not touch the parts with a label indicating "▲" (means hot surface). Touching "▲" (means hot surface) could result in a burn.
- When installing the Finisher, be sure to hold the sides of them. If you hold the bottom, your hands may get caught and injured.
- When moving the Finisher, hold the center of both sides, and then lift it slowly. Lifting it carelessly or dropping it may cause an injury.

Important

- ❑ Since either the Finisher or the 4-bin Mailbox can be installed to the printer, the Finisher cannot be installed if the 4-bin Mailbox is already installed to the printer.

- 1 Turn off the power switch, and then unplug the power cable.

- 2 Remove the adhesive tapes, including the one that is holding the staple cartridge inside the rear cover of the Finisher.



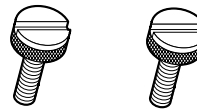
ZESP072J

- 3 Check the contents.

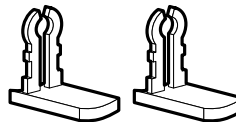
❖ Screw



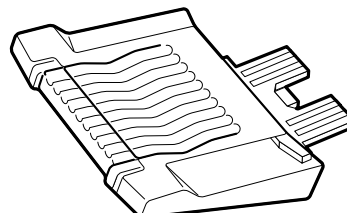
❖ Two Screws



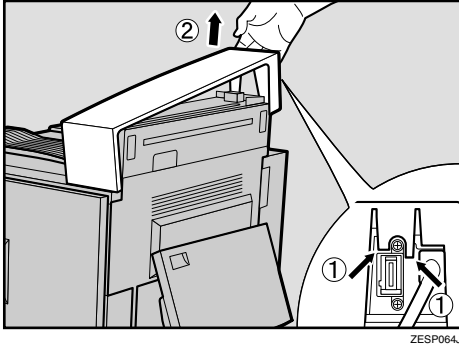
❖ Two Stoppers



❖ Output Tray for the 500-sheet Finisher



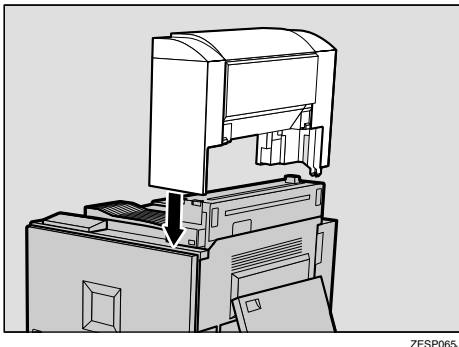
- 4** Remove the top cover of the Interchange Unit. First, pull up the stopper (①), and then lift the cover (②).



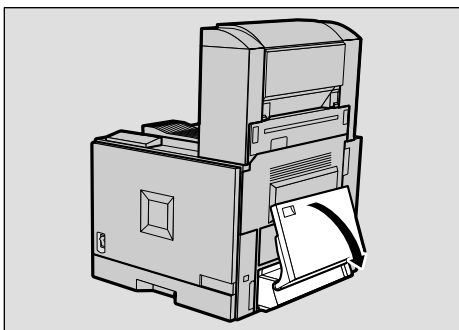
Note

- The removed cover will not be used.

- 5** Hold the Finisher with both hands, and then slowly insert it vertically to the top of the printer.



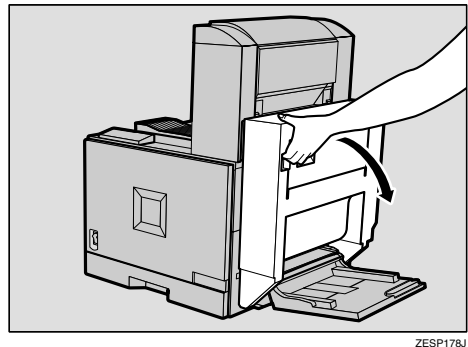
- 6** Open the Bypass Tray.



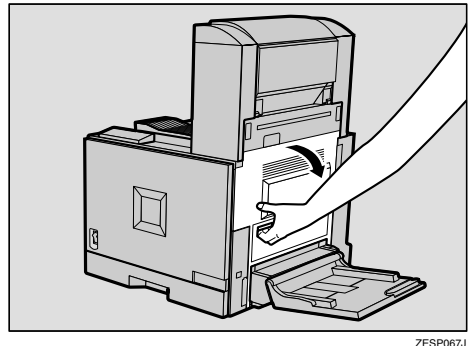
Note

- Remove paper on the Bypass Tray to prevent them from falling.

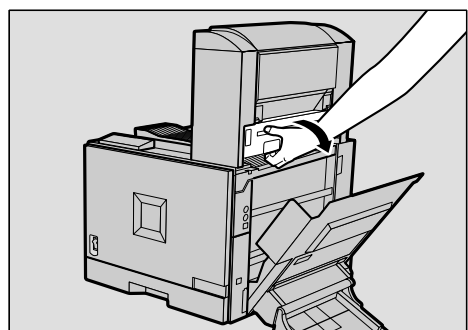
- 7** If the Duplex Unit is installed, open it by pushing the catch upwards.



- 8** Open the right cover of the printer by pushing up the handle.

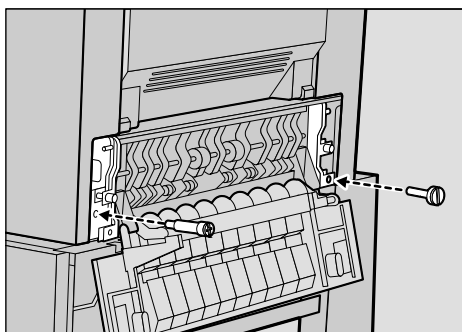


- 9** Open the right cover of the Interchange Unit.



1

- 10** Fasten the two places with two different kinds of screws as shown in the illustration.



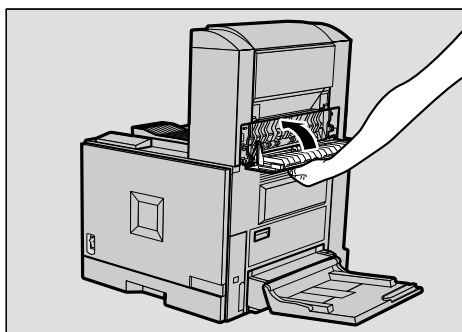
ZESP180J

Use a coin to fasten them tightly.

Note

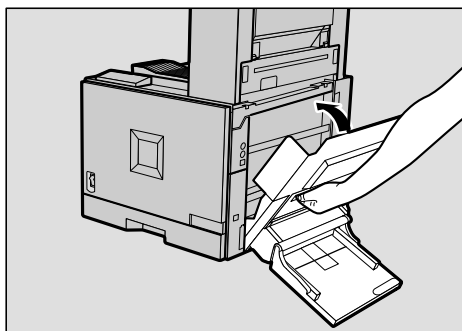
- There are two kinds of screws supplied.

- 11** Close the right cover of the Interchange Unit.



ZESP068J

- 12** Close the right cover of the printer.

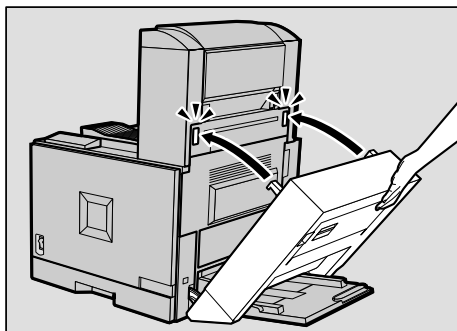


ZESP267J

Note

- Press "PUSH" to close the cover firmly.

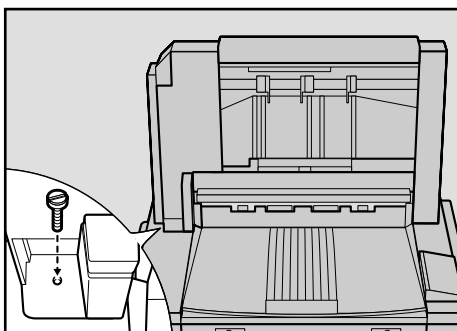
- 13** If the Duplex Unit is installed, close it.



ZESP069J

- 14** Close the Bypass Tray.

- 15** Fasten the position shown in the illustration with the remaining screw.

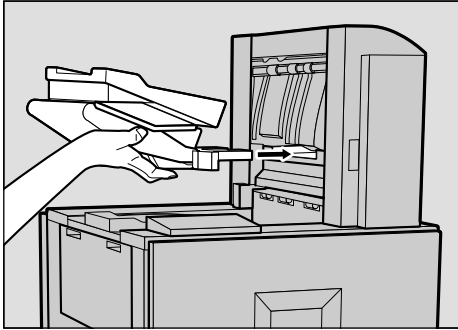


ZESP268J

Use a coin to fasten it firmly.

16 Set the output tray.

- 1 Insert the output tray into the Finisher in the direction shown.

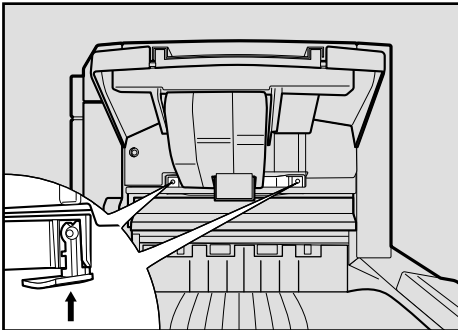


ZESP071J

Note

- Be sure to insert it until it stops. It does not work properly unless properly installed.

- 2 Attach the stoppers to the positions shown in the illustration.



ZESP070J

Important

- The stoppers cannot be attached if the output tray is not installed properly.

Note

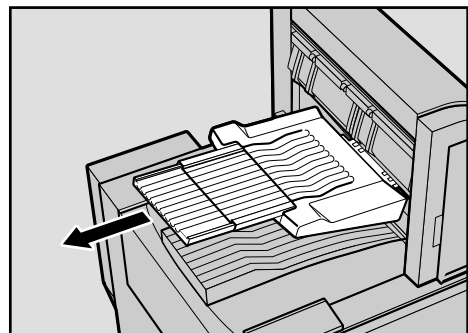
- After finishing installation, you can check whether the Finisher is installed properly. Print the configuration page from the "List/Test Print" menu. If it is installed properly, you will see "Finisher" under the "Options" list.
- If the Finisher is not installed properly, reinstall from step 1. If you cannot install it properly even after reinstallation, contact your sales or service representative.

Reference

See "Using the Control Panel" in the Administrator Reference for printing the configuration page.

Using the Output Guide

When the print paper size is larger than A4/letter, pull out the output guide of the output tray. It will prevent the paper from falling.



ZESP05J

Note

- Return the output guide into the tray after printing.

Mail Bin Type 5000 (4-bin Mailbox)

1

Preparation

Install the Interchange Unit before installing the 4-bin Mailbox. The 4-bin Mailbox cannot be installed without the Interchange Unit installed in advance. ⇒ p.11 "Interchange Unit Type 5000"

CAUTION:

- *The inside of the machine becomes very hot. Do not touch the parts with a label indicating "⚠" (means hot surface). Touching "⚠" (means hot surface) could result in a burn.*
- *When installing the 4-bin Mailbox, be sure to hold the sides of them. If you hold the bottom, your hands may get caught and injured.*
- *When moving the 4-bin Mailbox, hold the center of both sides, and then lift it slowly. Lifting it carelessly or dropping it may cause an injury.*

Important

- ❑ Since either the Finisher or the 4-bin Mailbox can be installed to the printer, the 4-bin Mailbox cannot be installed if the Finisher is already installed to the printer.

1 Turn off the power switch, and then unplug the power cable.

2 Remove the adhesive tapes.

3 Check the contents.

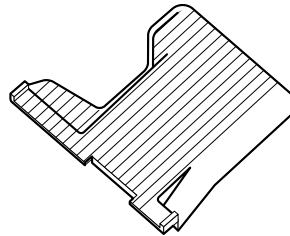
◆ Screw



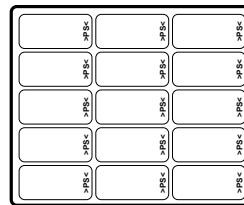
◆ Two Screws



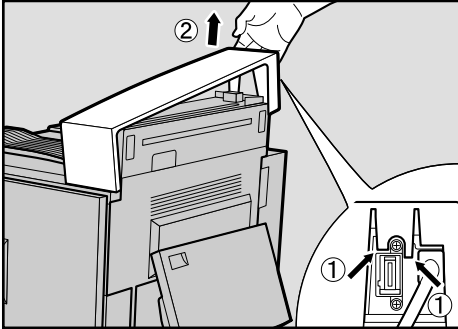
◆ Four Output Trays



◆ Labels



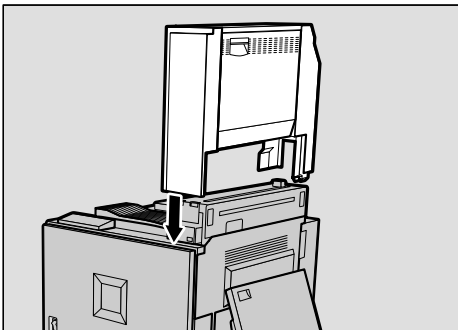
- 4** Remove the top cover of the Interchange Unit. First, pull up the stopper (①), and then lift the cover (②).



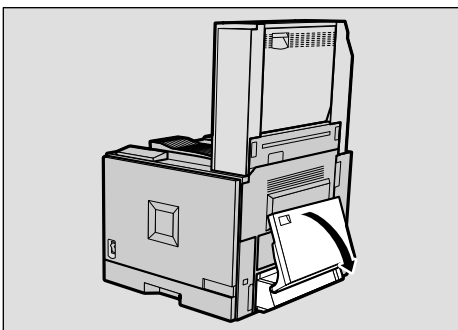
Note

- The removed cover will not be used.

- 5** Hold the 4-bin Mailbox with both hands, and then slowly insert it vertically to the top of the printer.



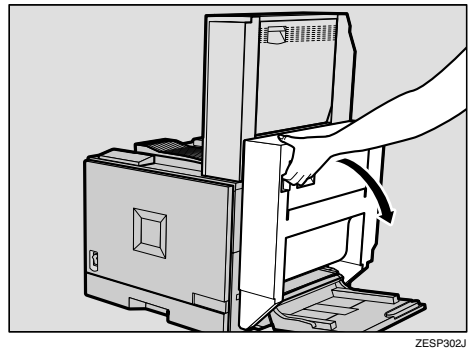
- 6** Open the Bypass Tray.



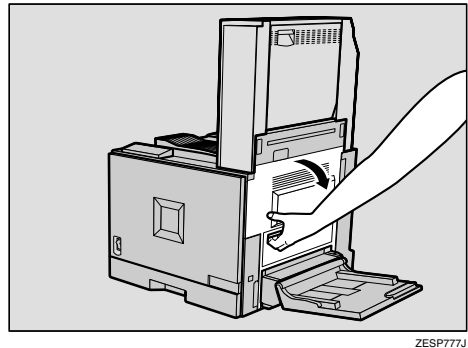
Note

- Remove paper on the Bypass Tray to prevent them from falling.

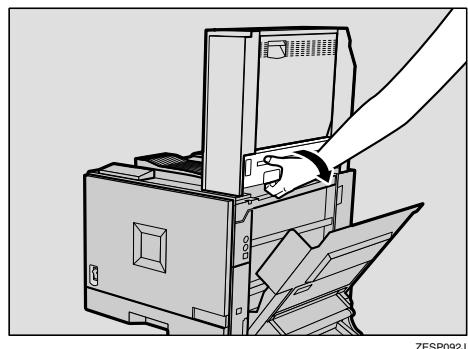
- 7** If the Duplex Unit is installed, open it by pushing the catch upwards.



- 8** Open the right cover of the printer by pushing up the handle.

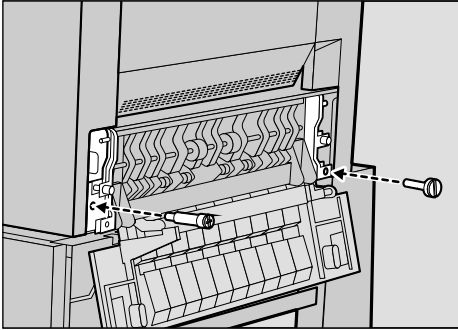


- 9** Open the right cover of the Interchange Unit.



1

10 Fasten the two places with two different kinds of screws as shown in the illustration.

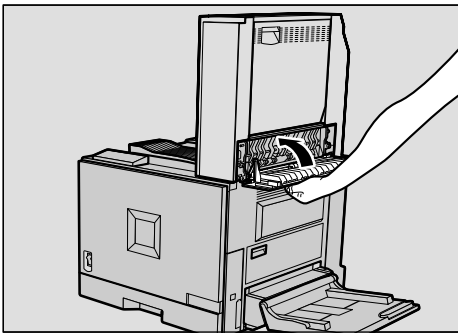


Use a coin to fasten them tightly.

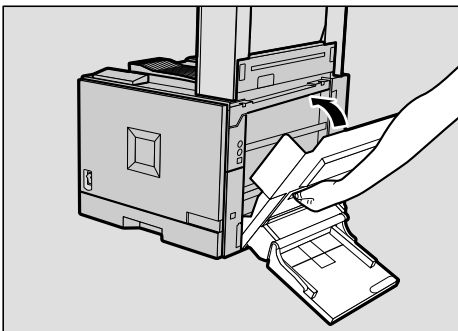
Note

□ There are two kinds of screws supplied.

11 Close the right cover of the Interchange Unit.



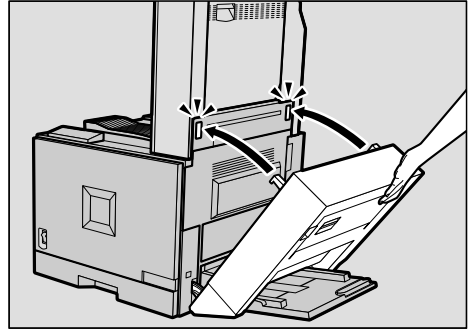
12 Close the right cover of the printer.



Note

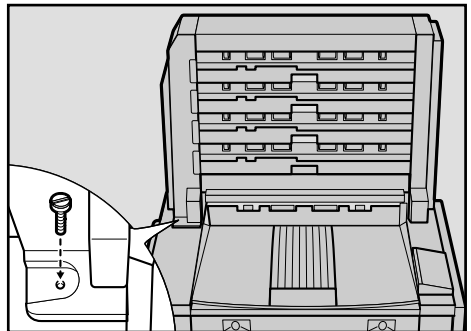
□ Press "PUSH" to close the cover firmly.

13 If the Duplex Unit is installed, close it.



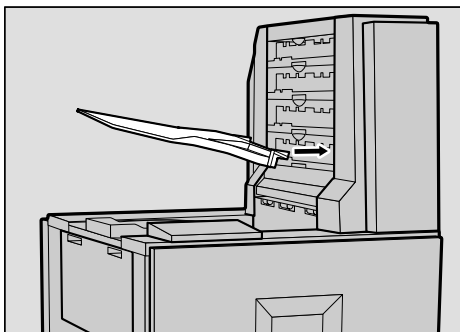
14 Close the Bypass Tray.

15 Fasten the position shown in the illustration with the remaining screw.



Use a coin to fasten it firmly.

- 16** Set the four output trays from the bottom.



ZESP095J

Note

- Use the supplied labels to assign the trays for individuals or business groups.
- After finishing installation, you can check whether the 4-bin Mailbox is installed properly. Print the configuration page from the "List/Test Print" menu. If it is installed properly, you will see "Mailbox" under the "Options" list.
- If the 4-bin Mailbox is not installed properly, reinstall from step **1**. If you cannot install it properly even after reinstallation, contact your sales or service representative.

Reference

See "Using the Control Panel" in the Administrator Reference for printing the configuration page.

Memory Unit Type C (SDRAM Module)

1

⚠ CAUTION:

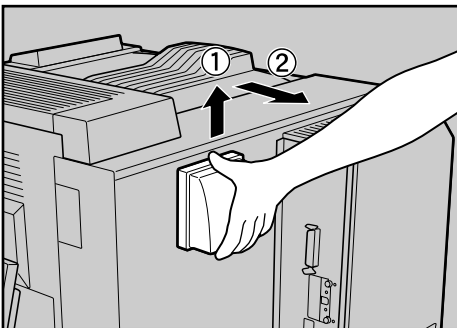
- Do not touch the inside of the controller board compartment. It may cause a machine malfunction or a burn.

⚡ Important

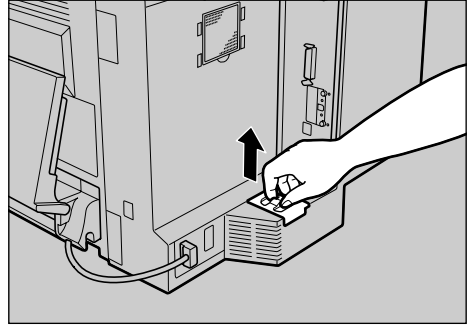
- ❑ Be sure to touch a metal object before touching the Memory Unit to discharge static electricity. Even a small amount of static electricity can damage the unit.
- ❑ Do not subject the Memory Unit to physical shocks.

1 Turn off the power switch, and then unplug the power cable.

2 Remove the dustproof filter cover on the back of the printer. First, lift the cover by holding the bottom of it (①), and then remove it (②).



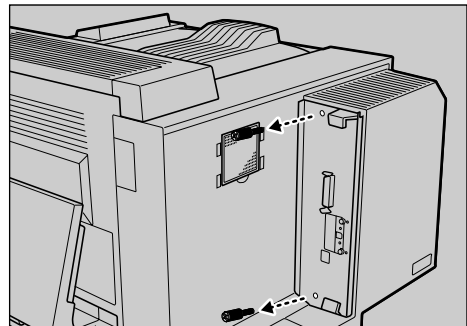
3 Remove the other dustproof filter cartridge by lifting it up.



⚡ Important

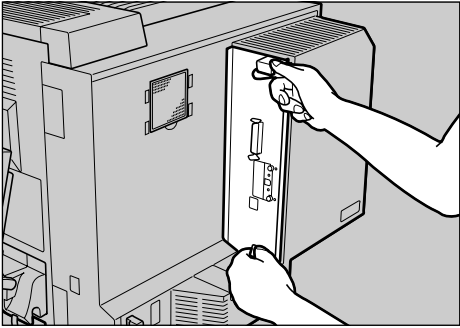
- ❑ Do not shake the removed cartridge. It may cause dust to fall off.

4 Remove the two screws that are fastening the controller board on the back of the printer.

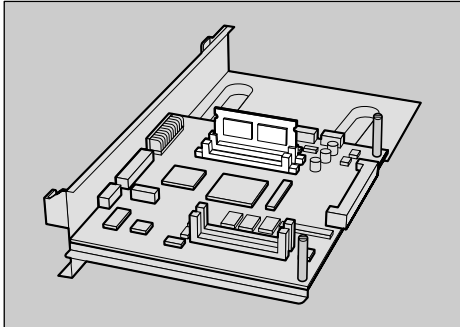


The removed screws will be used in step ⑩ to fasten the controller board.

5 Holding the handles, pull out the controller board slowly.



There are two slots for the Memory Unit. Use the available slot (the one in the front in the illustration) to install an optional Memory Unit.



Important

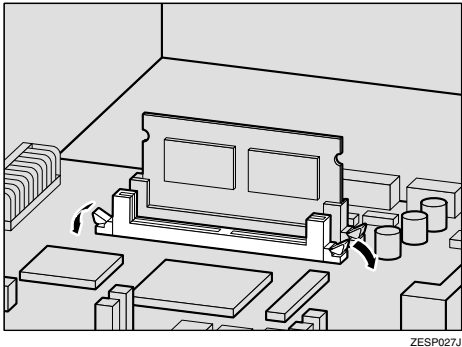
- In order to install the maximum 384 MB memory, remove the standard Memory Unit, and then replace with the 128 MB Memory Unit. Then install the 256 MB Memory Unit onto the other slot (the one in the front in the illustration).
- When two 256 MB Memory Units are installed, the total memory size is measured as 256 MB.
- When using only one Memory Unit, be sure to use the slot in the back shown in the illustration.

Note

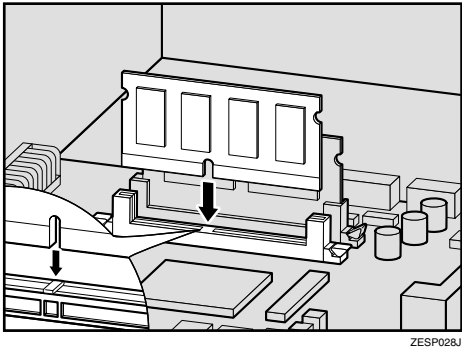
The following is the recommended combination of the Memory Units.

Slot		Total memory
Back	Front	
64 MB	None	64 MB
64 MB	64 MB	128 MB
64 MB	128 MB	192 MB
64 MB	256 MB	320 MB
128 MB	256 MB	384 MB

6 Release the locks on the sides of the available slot.

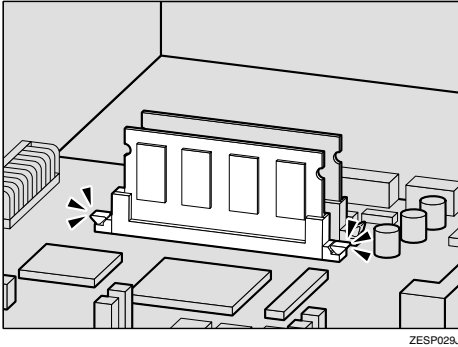


7 Adjust the notch of the Memory Unit to the slot, and then insert vertically.



1

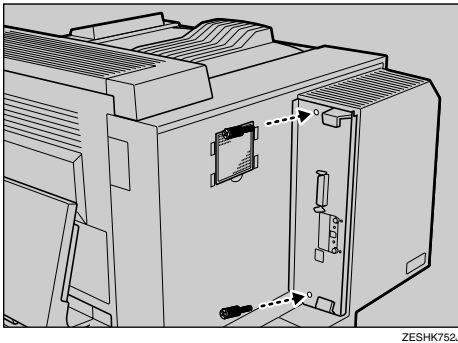
8 Press the Memory Unit down until it clicks into place.



9 Adjust the controller board to the top and bottom rails, and then push in slowly until it stops.

Note

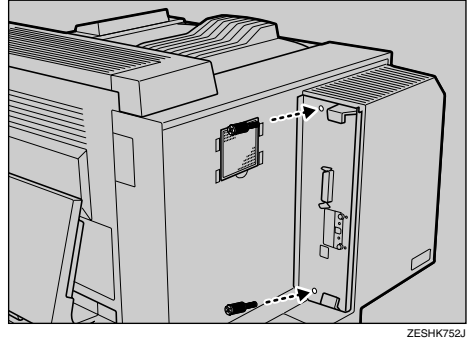
- When installing other options on the controller board, do not close the controller board, but go to the steps for installing the option.



Important

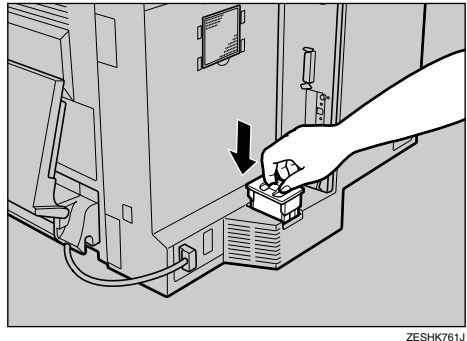
- The printer may not work properly if the controller board is not set properly.

10 Tighten the two screws that you removed in step 4 to fasten the controller board back into its original position.



Use a coin to fasten it securely.

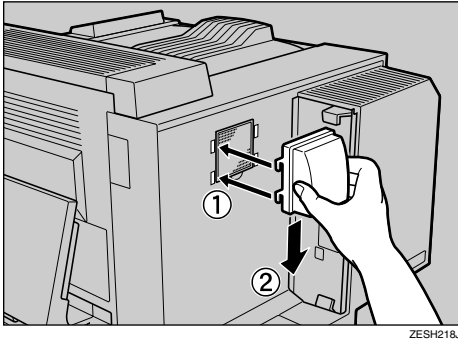
11 Set the dustproof filter cartridge that you removed in step 3.



Important

- Do not shake the removed cartridge. It may cause dust to fall off.

- 12** Set the dustproof filter cover that you removed in step **2**. First, insert the projections on the cover to the holes on the printer (①), and then push it down (②).



Note

- After finishing installation, you can check whether the Memory Unit is installed properly. Print the configuration page from the "List/Test Print" menu. If it is installed properly, you will see the memory capacity for "Total Memory".
- If the Memory Unit is not installed properly, reinstall from step **1**. If you cannot install it properly even after reinstallation, contact your sales or service representative.

Reference

See "Using the Control Panel" in the Administrator Reference for printing the configuration page.

Printer Hard Disk Type 5000

1

⚠ CAUTION:

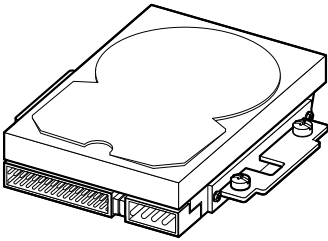
- Do not touch the inside of the controller board compartment. It may cause a machine malfunction or a burn.

⚠ Important

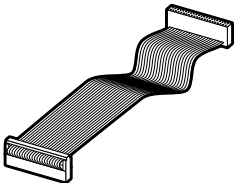
- ❑ Be sure to touch a metal object before touching the Printer Hard Disk to discharge static electricity. Even a small amount of static electricity can damage the unit.
- ❑ Do not subject the Printer Hard Disk to physical shocks.

1 Check the contents.

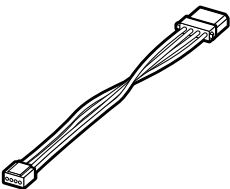
❖ Printer Hard Disk Type 5000



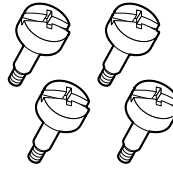
❖ Flat Cable



❖ Power Cable

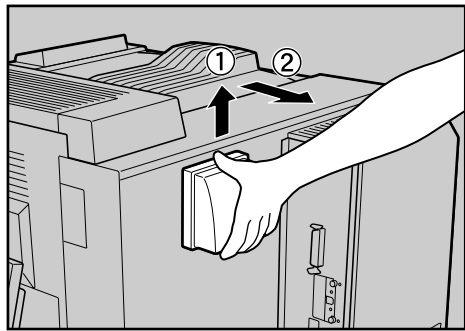


❖ Four Screws



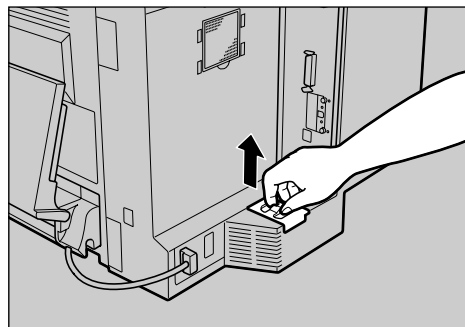
2 Turn off the power switch, and then unplug the power cable.

3 Remove the dustproof filter cover on the back of the printer. First, lift the cover by holding the bottom of it (①), and then remove it (②).



ZESHK212J

4 Remove the other dustproof filter cartridge by lifting it up.

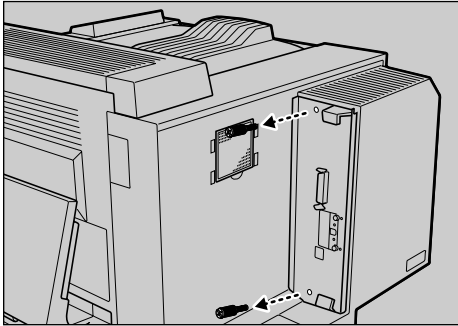


ZESHK760J

⚠ Important

- ❑ Do not shake the removed cartridge. It may cause dust to fall off.

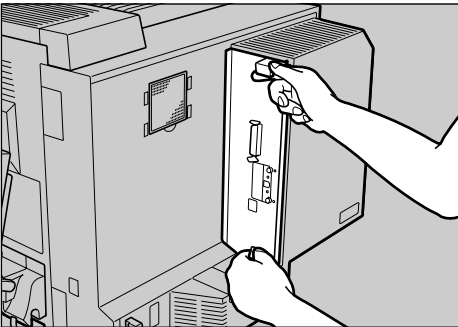
- 5** Remove the two screws that are fastening the controller board on the back of the printer.



ZESHK750J

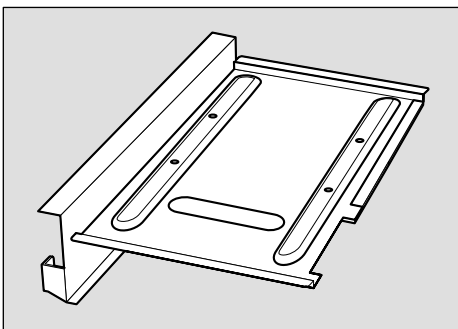
The removed screws will be used in step 11 to fasten the controller board.

- 6** Holding the handles, pull out the controller board slowly.



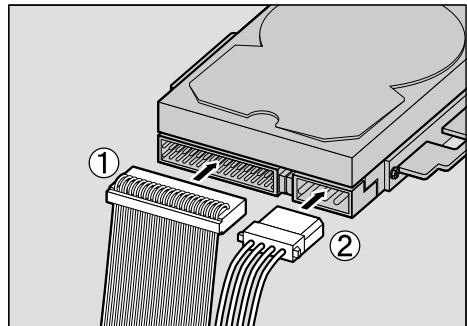
ZESHK751J

The Printer Hard Disk is to be installed on the back of the controller board.



ZESP406J

- 7** Connect the flat cable (1) and the power cable (2) to the Printer Hard Disk.

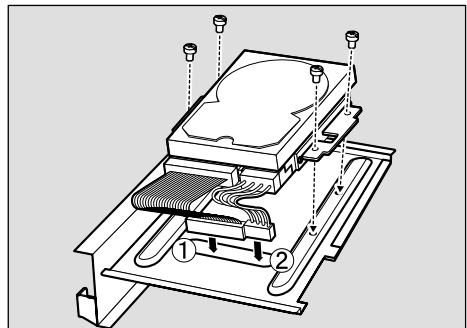


ZESP035J

Important

- The shape of the plugs of the power cable are different. Insert the larger plug in the direction shown.

- 8** Fasten the Printer Hard Disk on the back of the controller board using the supplied four screws, and then insert the flat cable (1) and the power cable (2) that you connected in step 7 into the slot of the controller board.

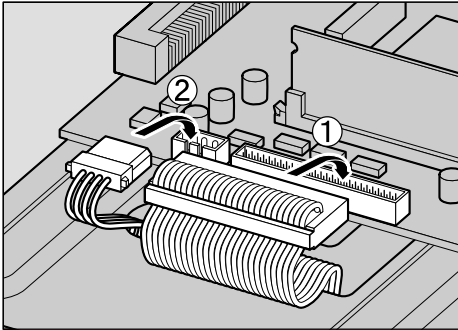


ZESP036J

Use a coin to fasten them tightly.

1

9 Turn over the cables, and then connect them to the slots on the controller board.

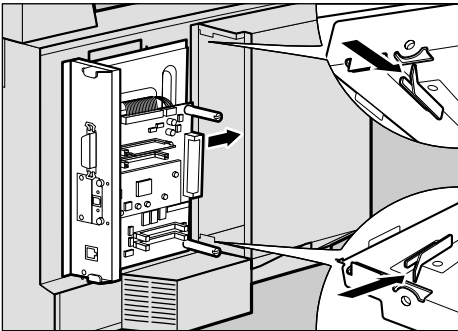


ZESP119J

10 Adjust the controller board to the top and bottom rails, and then push in slowly until it stops.

Note

- When installing other options on the controller board, do not close the controller board, but go to the steps for installing the option.

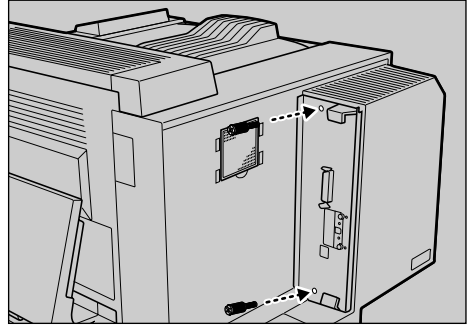


ZESHK764J

Important

- The printer may not work properly if the controller board is not set properly.

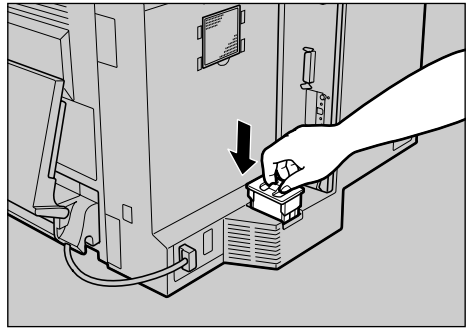
11 Tighten the two screws that you removed in step 5 to fasten the controller board back into its original position.



ZESHK752J

Use a coin to fasten it securely.

12 Set the dustproof filter cartridge that you removed in step 4.

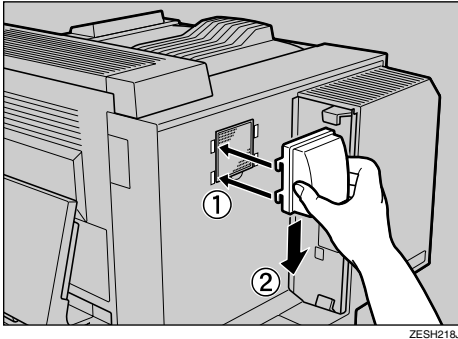


ZESHK761J

Important

- Do not shake the removed cartridge. It may cause dust to fall off.

- 13** Set the dustproof filter cover that you removed in step **8**. First, insert the projections on the cover to the holes on the printer (①), and then push it down (②).



When the power is turned on, the Printer Hard Disk will be formatted automatically.

Note

- After finishing installation, you can check whether the Printer Hard Disk is installed properly. Print the configuration page from the "List/Test Print" menu. If it is installed properly, you will see "Installed" for "Printer Hard Disk Drive".
- If the Printer Hard Disk is not installed properly, you will see "Not Installed". In such a case, reinstall from step **1**. If you cannot install it properly even after reinstallation, contact your sales or service representative.

Reference

See "Using the Control Panel" in the Administrator Reference for printing the configuration page.

Important

- Before using the new Printer Hard Disk, you must make the settings in [**Accessories**] of the printer driver.

1394 Interface Unit Type 4510

1

⚠ CAUTION:

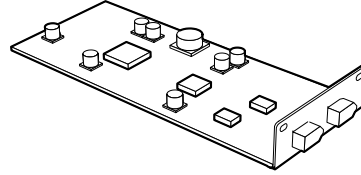
- Do not touch the inside of the controller board compartment. It may cause a machine malfunction or a burn.

🔌 Important

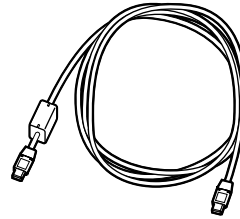
- ❑ Printing using "1394/Scsi Printer" (Windows 2000) device and "IEEE 1394 and SCSI printers" (Windows XP) with the optional 1394 Interface Unit is possible under Windows 2000 and Windows XP. Printing with IP over 1394 is possible under Windows Me and Windows XP.
- ❑ Under Windows 2000, the 1394 Interface Unit can only be used with Service Pack 1 or later. If the Service Pack is not installed, the connectable SCSI print device in a 1394 bus is only one. The client cannot install the printer driver without using an account with Administrators permission.
- ❑ Before touching the 1394 Interface Unit, touch something metal to discharge any static electricity. Static electricity can damage the 1394 Interface Unit
- ❑ Unplug all the interface cables from the printer before installation. If you take out the controller board with cables plugged in, the 1394 Interface Unit might be damaged.
- ❑ Do not plug or unplug the 1394 interface cable while installing the printer driver
- ❑ Use the 1394 Interface cable that comes with 1394 Interface Unit.

1 Check the contents.

❖ 1394 Interface Unit Type 4510



❖ Interface Cable (6 pin × 6 pin)



❖ Interface Cable (6 pin × 4 pin)

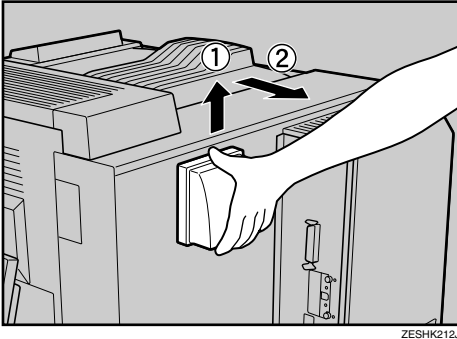


📌 Note

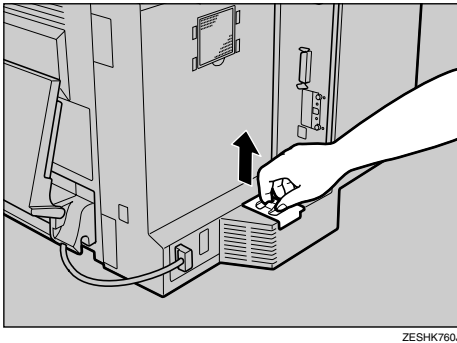
- ❑ The four screws and the sponge supplied are not to be used.

2 Turn off the power switch, and then unplug the power cable and the interface cable.

- 3** Remove the dustproof filter cover on the back of the printer. First, lift the cover by holding the bottom of it (①), and then remove it (②).



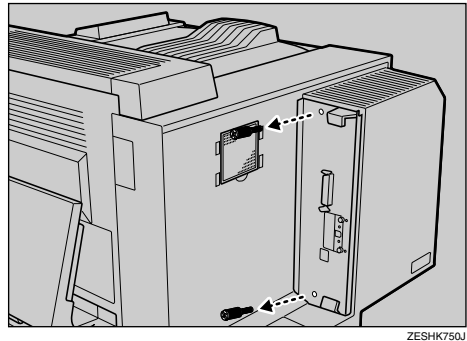
- 4** Remove the other dustproof filter cartridge by lifting it up.



Important

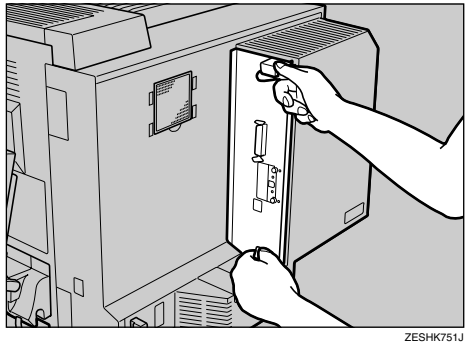
- Do not shake the removed cartridge. It may cause dust to fall off.

- 5** Remove the two screws that are fastening the controller board on the back of the printer.

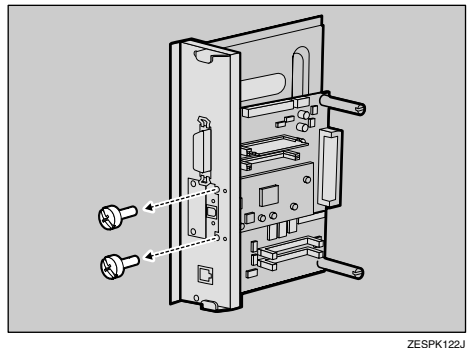


The removed screws will be used in step 10 to fasten the controller board.

- 6** Holding the handles, pull out the controller board slowly.



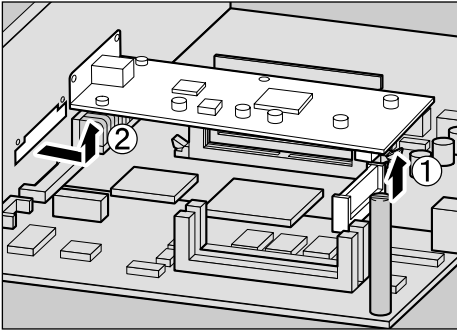
- 7** Remove USB2.0 Interface Unit.



Note

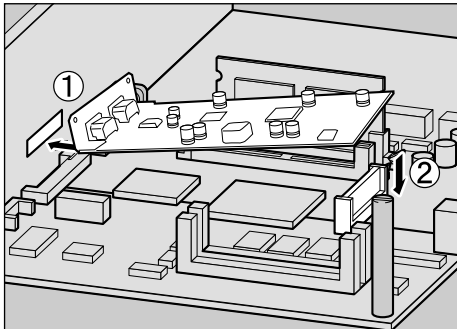
- The removed screws will be used in step 10.

- 8** Lift the end of USB2.0 Interface Unit (①), and then remove it from the controller board (②).



ZESP120J

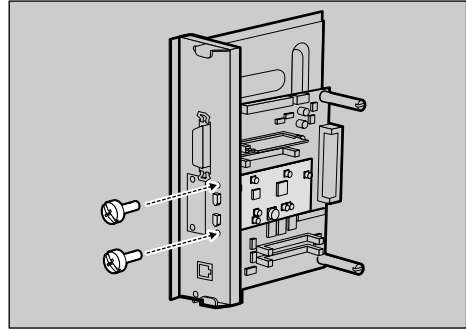
- 9** Set the 1394 Interface Unit on the controller board. Insert one end of the unit to the slot (①), and then connect the other end to the controller board (②).



ZESP120J

Confirm that the 1394 Interface Unit is firmly connected to the controller board.

- 10** Fasten the 1394 Interface Unit on the controller board using the screws that you removed in step 7.



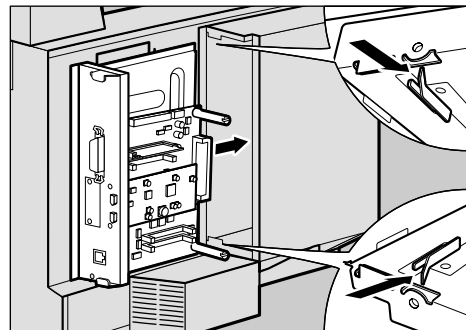
ZESP123J

Use a coin to fasten them tightly.

- 11** Adjust the controller board to the top and bottom rails, and then push in slowly until it stops.

Note

- When installing other options on the controller board, do not close the controller board, but go to the steps for installing the option.

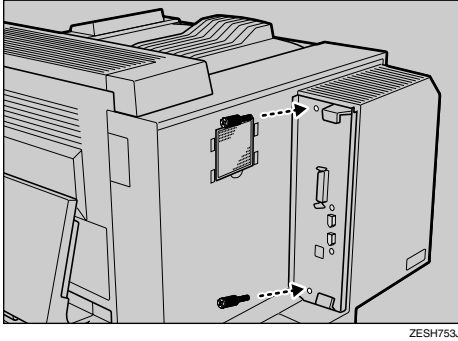


ZESP804J

Important

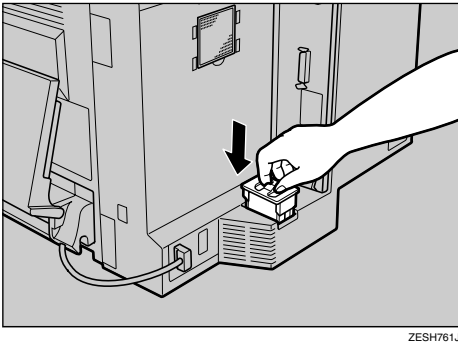
- The printer may not work properly if the controller board is not set correctly.

- 12** Tighten the two screws that you removed in step **5** to fasten the controller board back into its original position.



Use a coin to fasten it securely.

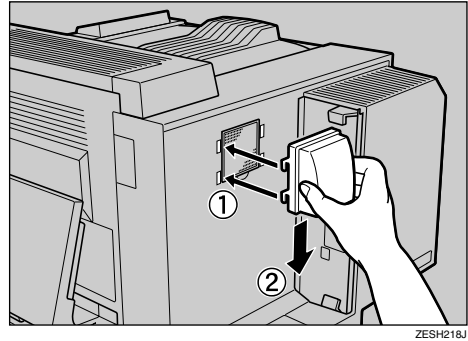
- 13** Set the dustproof filter cartridge that you removed in step **4**.



Important

- Do not shake the removed cartridge. It may cause dust to fall off.

- 14** Set the dustproof filter cover that you removed in step **3**. First, insert the projections on the cover to the holes on the printer (1), and then push it down (2).



Note

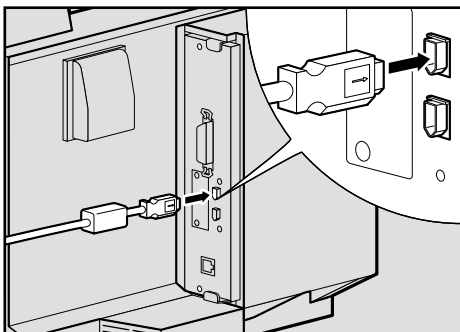
- After finishing installation, you can check whether the 1394 Interface Unit is installed properly. Print the configuration page from the "List/Test Print" menu. If it is installed properly, you will see "Installed" for "IEEE1394".
- If the 1394 Interface Unit is not installed properly, "Not Installed" is shown. In such a case, reinstall from step **1**. If you cannot install it properly even after reinstallation, contact your sales or service representative.

Reference

See "Using the Control Panel" in the Administrator Reference for printing the configuration page.

Connecting the cable to the 1394 Interface Unit

- 1** Connect the interface cable to the 1394 interface port.



ZESP805J

Note

- Either connector can be used.
- If you use a 6 pin × 6 pin interface cable, connect the end with the ferrite core to the printer.

- 2** Connect the other end to the host computer.

802.11b Interface Unit Type A

⚠ CAUTION:

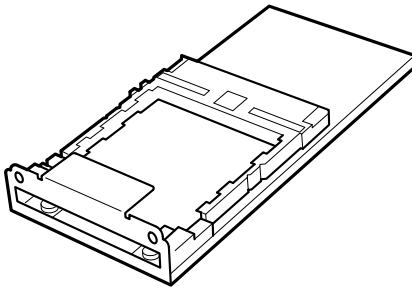
- Do not touch the inside of the controller board compartment. It may cause a machine malfunction or a burn.

⚡ Important

- ❑ Be sure to touch a metal object before touching the 802.11b Interface Unit to discharge static electricity. Even a small amount of static electricity can damage the unit.
- ❑ 1394 Interface Unit, 802.11b Interface Unit and USB2.0 Interface Board cannot be installed in the printer at the same time.

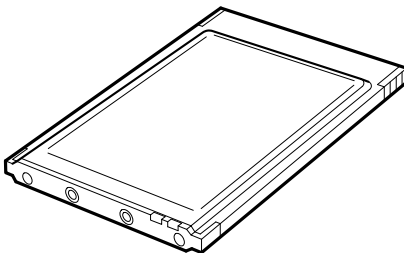
1 Check the contents.

❖ 802.11b Interface Unit



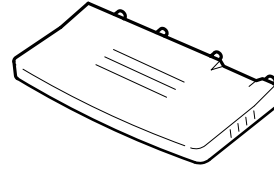
ZHBP410E

❖ Card



ZHBP420E

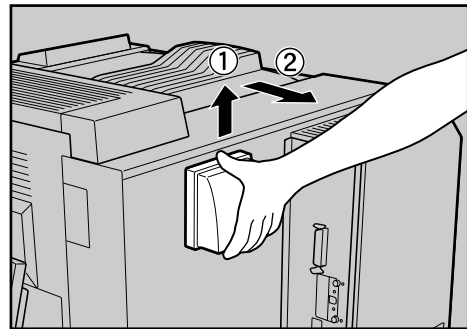
❖ Antenna



ZHBP430E

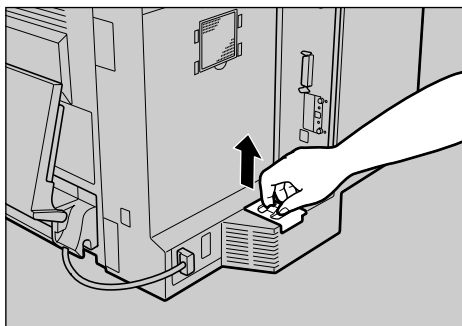
2 Turn off the power switch, and then unplug the power cable and the interface cable.

3 Remove the dustproof filter cover on the back of the printer. First, lift the cover by holding the bottom of it (①), and then remove it (②).



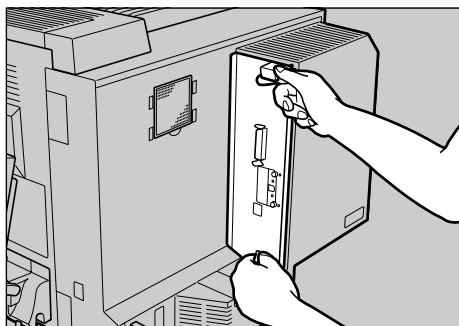
ZESHK212J

- 4** Remove the other dustproof filter cartridge by lifting it up.



ZESHK760J

- 6** Holding the handles, pull out the controller board slowly.

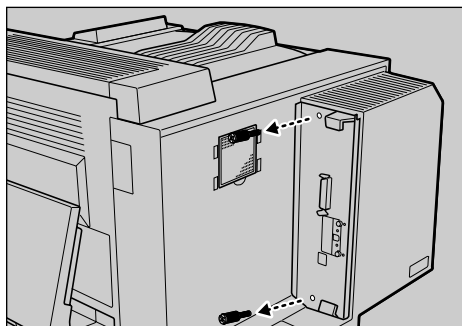


ZESHK751J

Important

- Do not shake the removed cartridge. It may cause dust to fall off.

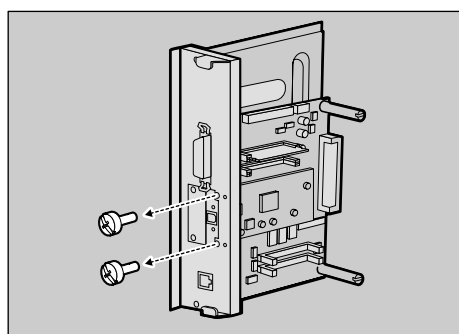
- 5** Remove the two screws that are fastening the controller board on the back of the printer.



ZESHK750J

The removed screws will be used in step **10** to fasten the controller board.

- 7** Remove USB2.0 Interface Unit.

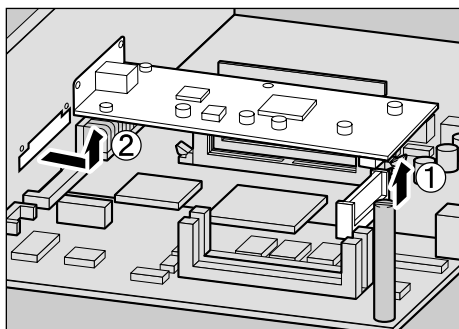


ZESPK122J

Note

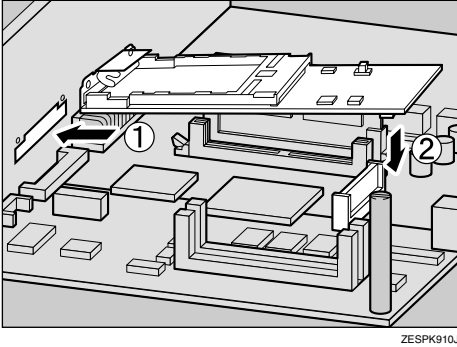
- The removed screws will be used in step **10**.

- 8** Lift the end of USB2.0 Interface Unit (①), and then remove it from the controller board (②).



ZESPK120J

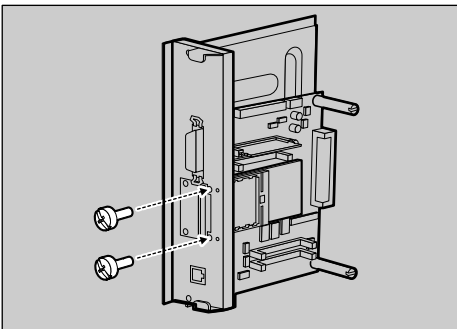
- 9** Attach the 802.11b Interface Unit. Insert the end of the 802.11b Interface Unit to the opening (①), and then push down until it clicks (②).



ZESPK910J

Confirm that the 802.11b Interface Unit is firmly connected to the controller board.

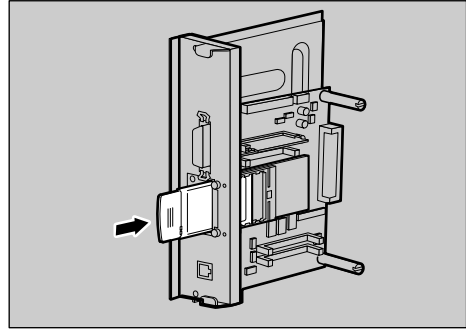
- 10** Fasten the 802.11b Interface Unit on the controller board using the screws that you removed in step 7.



ZESPK920J

Use a coin to fasten them tightly.

- 11** Insert the card slowly into the 802.11b Interface Unit with the label facing down and the uneven black antenna surface facing up until it stops.

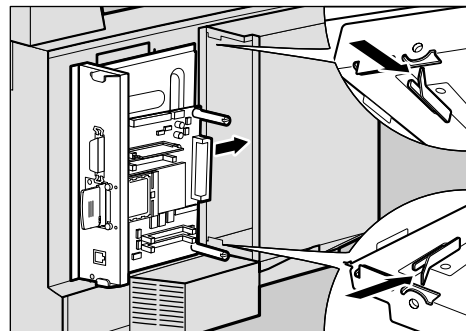


ZESPK930J

- 12** Adjust the controller board to the top and bottom rails, and then push in slowly until it stops.

Note

- When installing other options on the controller board, do not close the controller board, but go to the steps for installing the option.



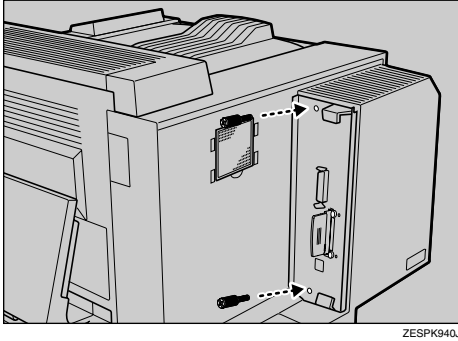
ZESPK804J

Important

- The printer may not work properly if the controller board is not set correctly.

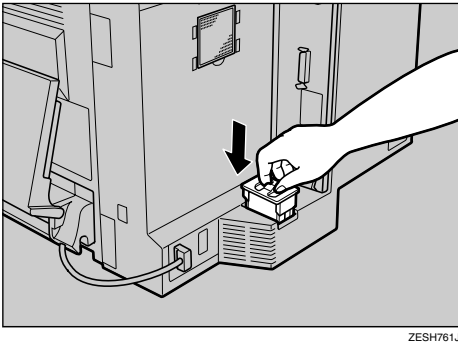
1

- 13** Tighten the two screws that you removed in step **5** to fasten the controller board back into its original position.



Use a coin to fasten them tightly.

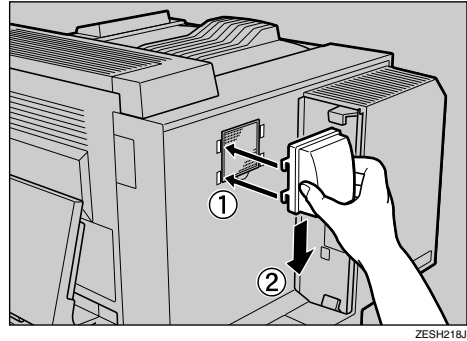
- 14** Set the dustproof filter cartridge that you removed in step **4**.



Important

- Do not shake the removed cartridge. It may cause dust to fall off.

- 15** Set the dustproof filter cover that you removed in step **3**. First, insert the projections on the cover to the holes on the printer (1), and then push it down (2).



Note

- After finishing installation, you can check whether the 802.11b Interface Unit is installed properly. Print the configuration page from the "List/Test Print" menu. If it is installed properly, you will see "Installed" for "IEEE802.11b".
- If the 802.11b Interface Unit is not installed properly, "Not Installed" is shown. In such a case, reinstall from step **1**. If you cannot install it properly even after reinstallation, contact your sales or service representative.

Reference

See "Using the Control Panel" in the Administrator Reference for printing the configuration page.

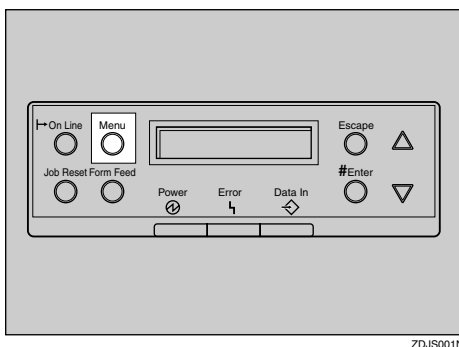
IEEE 802.11b (Wireless LAN) Configuration

Configure the printer for using the IEEE 802.11b (Wireless LAN). The following table shows the control panel settings and their default values. These items are included in the "Host Interface" menu.

Setting Name	Default Value
Comm. Mode	802.11 Ad hoc
Channel	• Inch version (1-11) 11
	• Metric version (1-13) 11
Trans. Speed	Auto
WEP Setting	Not Active

In order to use the IEEE 802.11b (Wireless LAN), select "IEEE 802.11b" for "LAN Type" in "Network Setup" of the Host Interface menu, and then set "IP Address", "Subnet Mask", "Gateway Address", "DHCP", "Frame Type (NW)" and "Active Protocol" in the "Network Setup". For more information about setting the items in the "Network Setup", see the Quick Installation Guide.

- 1 Press **[Menu]**.

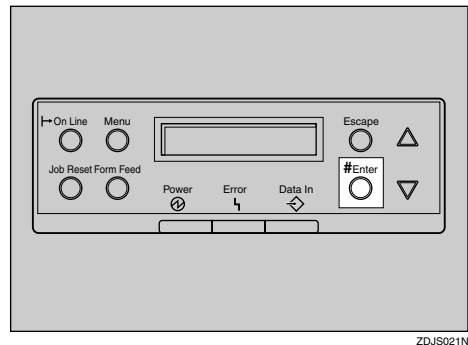


"Menu" appears on the panel display.

- 2 Press **[▲]** or **[▼]** to display "Host Interface" menu.

```
Menu:
Host Interface
```

- 3 Press **[Enter #]**.



The following message appears on the panel display.

```
Host Interface:
I/O Buffer
```

- 4 Press **[▲]** or **[▼]** to display "Network Setup", and then press **[Enter #]**.

```
Host Interface:
Network Setup
```

- 5 Press **[▲]** or **[▼]** to display "LAN Type", and then press **[Enter #]**.

```
Network Setup:
LAN Type
```

- 6 Press **[▲]** or **[▼]** to display "IEEE 802.11b", and then press **[Enter #]**.

```
LAN Type:
IEEE 802.11b
```

- 7 Press **[Escape]**.

- 8** Press **[▲]** or **[▼]** to display "IEEE 802.11b".

```
Host Interface:
IEEE 802.11b
```

- 9** Press **[Enter #]**.

Be sure that "Comm. Mode" appears on the panel display.

```
IEEE 802.11b:
Comm. Mode
```

- 10** Press **[Enter #]**.

The following message appears on the panel display.

```
Comm. Mode:
*802.11 Ad hoc
```

- 11** Press **[▲]** or **[▼]** to select the transmission mode.

 **Note**

- The factory default is "802.11Ad hoc".
- To use an IEEE 802.11b card for which the IBSS (Network Name) setting is not necessary, select "Ad hoc".

- 12** Press **[Enter #]**.

The display returns to the previous menu in a few seconds.

- 13** If "802.11Ad hoc" or "Ad hoc" is selected for "Comm. Mode", set the channel to use for transmission.

 **Note**

- Confirm the network administrator for the channel to use.

- 1** Press **[▲]** or **[▼]** to display "Channel".

```
IEEE 802.11b:
Channel
```

- 2** Press **[Enter #]**.

The channel currently used appears on the panel display.

```
Channel :
(1-11) 11
```

- 3** Press **[▲]** or **[▼]** to enter the channel.

- 4** Press **[Enter #]**.

- 14** Set "Trans. Speed" in the same way.

 **Note**

- The factory default is "Auto". If you need to change the transmitting speed depending on environment you are using, select the appropriate transmitting speed.

- 15** Press the **[▲]** or **[▼]** key to display "SSID", and then press the **[Enter #]** key.

```
IEEE 802.11b:
SSID
```

The following message appears on the panel display.

```
SSID:
Enter ID
```

 **Note**

- The factory default is "ASSID".

- If an SSID has been set, you can check the set SSID. Press the **[▲]** or **[▼]** key to display "View", and then press the **[Enter #]** key.

1 Press the **[Enter #]** key.

The following message appears on the panel display.

```
SSID:           [ 0 ]
█
```

 **Note**

- The value in brackets at the upper right is the number of characters entered.
- 2** Press the **[▲]** or **[▼]** key to select characters, and then press the **[Enter #]** key.

```
SSID:           [ 1 ]
A
```

The pointer (█) moves to the next character position.

```
SSID:           [ 1 ]
A█
```

3 Continue entering the key.

 **Note**

- The characters that can be used are ASCII 0x20-0x7e (32 bytes).
 - If you press the **[Escape]** key, the pointer (█) moves to the previous character position.
- 4** After entering the key, press the **[Enter #]** key twice.

```
SSID:           [32]
AAAAAAAAAAAAAAAAAAAA
```

The screen returns to step **1**.

16 Press the **[▲]** or **[▼]** key to display "WEP Setting".

```
IEEE 802.11b:
WEP Setting
```

1 Press the **[Enter #]** key.

```
WEP Setting:
*Not Active
```

2 Press the **[▲]** or **[▼]** key to display "Active", and then press the **[Enter #]** key.

```
WEP Setting:
Active
```

The following message appears on the panel display.

```
Change WEP Key:
Yes
```

 **Note**

- When setting the WEP Setting to "Active", you will need to enter the WEP key. If you have not entered the key, be sure to enter it.
- If you have entered the WEP key and change the setting, press the **[▲]** or **[▼]** key to display "No", and then press the **[Enter #]** key.

3 Press the **[Enter #]** key.

```
WEP Key:       [ 0 ]
█
```

 **Note**

- The value in brackets at the upper right is the number of characters entered.

1

- 4 Press the **[▲]** or **[▼]** key to select characters, and then press the **[Enter #]** key.

```
WEP Key:      [ 1]
0
```

The pointer (█) moves to the next character position.

```
WEP Key:      [ 1]
0█
```

- 5 Continue entering the key.

 **Note**

- You can enter either 10 or 26 characters. If the key you enter is not 10 or 26 characters long, the following message appears.

```
Error: Enter 10
or 26 characters
```

- If you press the **[Escape]** key, the pointer (█) moves to the previous character position.

- 6 After entering the key, press the **[Enter #]** key.

```
WEP Key:      [26]
0000000000000000
```

The screen returns to step 12.

- 17 Press **[On Line]**.

“Ready” appears on the panel display.

```
Ready
```

- 18 Print a configuration page to confirm the settings made. See “Printing a Configuration Page” in the Administrator Reference.

User Account Enhance Unit Type B

⚠ **WARNING:**

- *Do not place the IC2 lithium battery near or into fire, or it will explode and cause a burn.*
- *The User Account Enhance Unit installed on the controller board has a IC2 lithium battery which can explode if replaced incorrectly. Replace the User Account Enhance Unit only with the indicated one.*

⚠ **CAUTION:**

- *Do not touch the inside of the controller board compartment. It may cause a machine malfunction or a burn.*

📌 **Note**

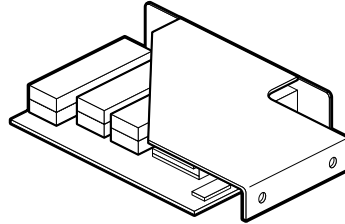
- ❑ Disposal should take place at an authorized dealer or an appropriate collection site. An IC2 lithium battery is inside the User Account Enhance Unit.
- ❑ If you are disposing the unit, separate the IC2 lithium battery from the board, and then dispose of them according to the local regulations.

⚡ **Important**

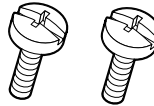
- ❑ Be sure to touch a metal object before touching the User Account Enhance Unit to discharge static electricity. Even a small amount of static electricity can damage the unit.
- ❑ Do not subject the User Account Enhance Unit to physical shocks.

1 Check the contents.

❖ User Account Enhance Unit



❖ Two Screws

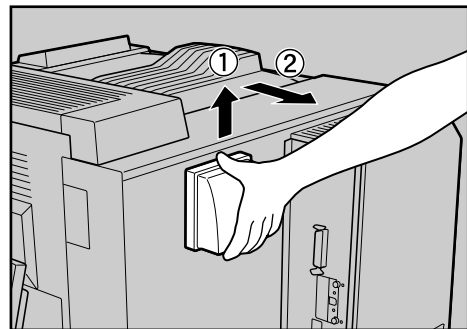


📌 **Note**

- ❑ The other screw supplied is not to be used.

2 Turn off the power switch, and then unplug the power cable.

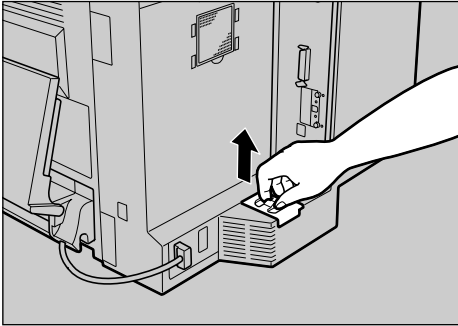
3 Remove the dustproof filter cover on the back of the printer. First, lift the cover by holding the bottom of it (①), and then remove it (②).



ZESHK212J

1

4 Remove the other dustproof filter cartridge by lifting it up.

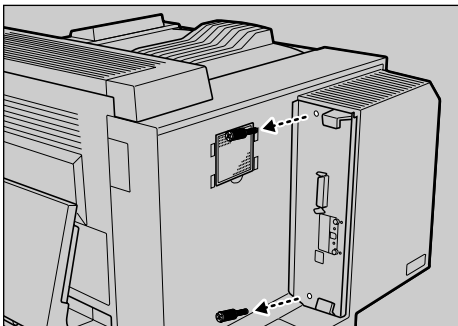


ZESHK760J

Important

- ❑ Do not shake the removed cartridge. It may cause dust to fall off.

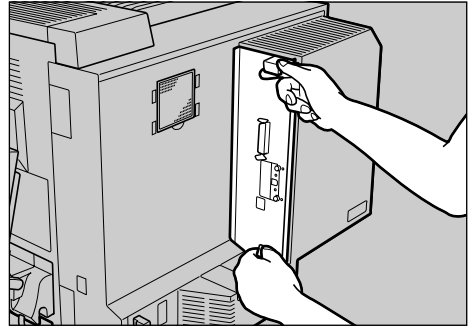
5 Remove the two screws that are fastening the controller board on the back of the printer.



ZESHK750J

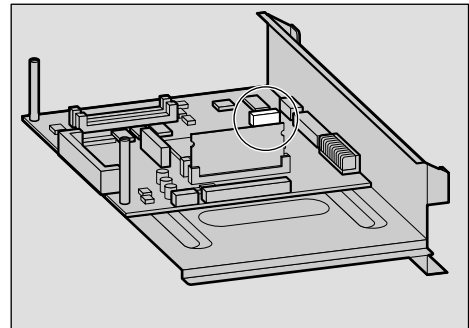
The removed screws will be used in step 10 to fasten the controller board.

6 Holding the handles, pull out the controller board slowly.



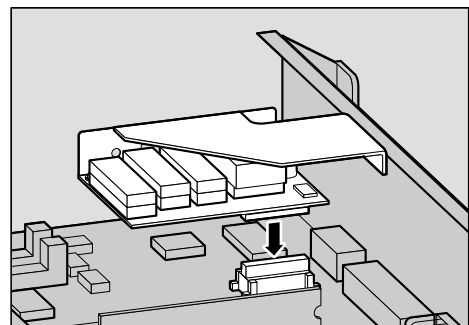
ZESHK751J

The Account Enhance Unit is to be installed to the position shown in the illustration.



ZESP403J

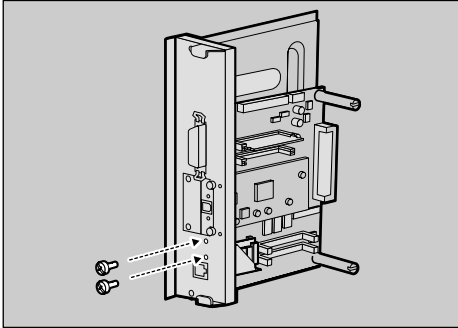
7 Set the Account Enhance Unit on the controller board in the direction shown in the illustration.



ZESP703J

Confirm that the Account Enhance Unit is firmly connected to the controller board.

- 8** Align the screw holes of the Account Enhance Unit and the controller board, and then fasten the Account Enhance Unit on the controller board using the supplied screws.



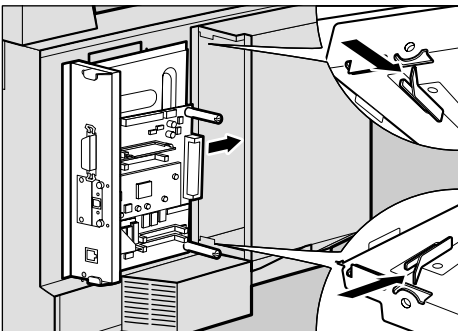
ZESPK405J

Use a coin to fasten them tightly.

- 9** Adjust the controller board to the top and bottom rails, and then push in slowly until it stops.

Note

- When installing other options on the controller board, do not close the controller board, but go to the steps for installing the option.

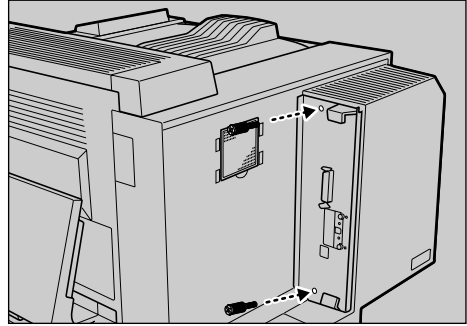


ZESHK763J

Important

- The printer may not work properly if the controller board is not set correctly.

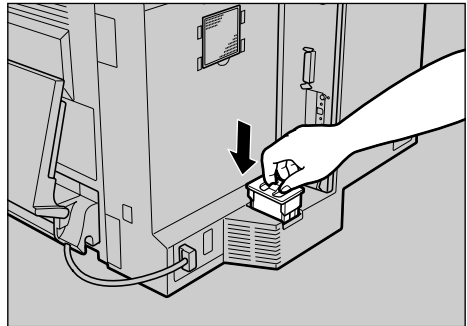
- 10** Tighten the two screws that you removed in step 5 to fasten the controller board back into its original position.



ZESHK752J

Use a coin to fasten it securely.

- 11** Set the dustproof filter cartridge that you removed in step 4.

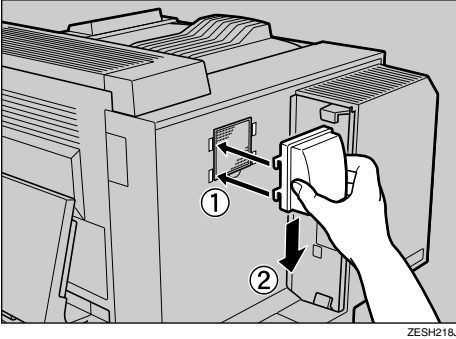


ZESHK761J

Important

- Do not shake the removed cartridge. It may cause dust to fall off.

- 12** Set the dustproof filter cover that you removed in step **8**. First, insert the projections on the cover to the holes on the printer (①), and then push it down (②).



Note

- ❑ After finishing installation, you can check whether the User Account Enhance Unit is installed properly. Print the configuration page from the "List/Test Print" menu. If it is installed properly, you will see "Installed" for "Accounting Module".
- ❑ If the User Account Enhance Unit is not installed properly, you will see "Not Installed". In such a case, reinstall from step **1**. If you cannot install it properly even after reinstallation, contact your sales or service representative.

Reference

See "Using the Control Panel" in the Administrator Reference for printing the configuration page.

INDEX

1394 Interface Unit Type 4510, 6, 36
802.11b Interface Unit Type A, 6, 41

A

Available Options, 3

D

Duplex Unit Type 5000, 5, 15

I

Interchange Unit Type 5000, 5, 11

M

Mail Bin Type 5000 (4-bin Mailbox), 5, 24
Memory Unit Type C (SDRAM Module), 6, 28

O

Options, 3

P

PAPER FEED UNIT Type 5000, 5, 7
Printer Hard Disk Type 5000, 6, 32

S

SR780 (500-sheet Finisher), 5, 20

U

User Account Enhance Unit Type B, 6, 49

